

Service Manual



SEAT

ALANA

ALANA Mejico

GHM9100

GHN6100

Inhaltsverzeichnis

	Seite
Allgemeiner Teil	2 ... 3
Bedienhinweise	2
Servicehinweis	3
Schaltpläne und Platinenabbildungen	4 ... 32
Schaltpläne	
HF-Teil	4
Prozessor-Teil	7
CD-Teil	10
Klangsteller	12
RDS, Interfaces	14
NF-Teil	16
Anschluss-Platte	20
Bedienplatte	22
Platinenabbildungen	25
Ersatzteilliste	31 ... 32

Table of Contents

	Page
General Section	2 ... 3
Operating Hints	2
Service Hint	3
Circuit Diagrams and Layout of the PCBs	4 ... 32
Circuit Diagrams	
RF Part	4
Processor Part	7
CD Part	10
Sound Control	12
RDS, Interfaces	14
AF Part	16
Connection Board	20
Operating Board	22
Layout of the PCBs	25
Spare Parts List	31 ... 32

Zusätzlich erforderliche Unterlagen für den Komplettservice
Additionally required Documents for the Complete Service



Dieses Service Manual ist nur in Datenform verfügbar
This Service Manual is only available as data

Änderungen vorbehalten
Subject to alteration

Made by GRUNDIG in Germany
H-S44 0302 720108500490
<http://www.grundig.com>



Bedienhinweise / Operating Hints

Taste Key	Radio-Mode		CD-Mode		MCD-Mode	
	Kurz drücken Push short	> 2s drücken Push > 2s	Kurz drücken Push short	> 2s drücken Push > 2s	Kurz drücken Push short	> 2s drücken Push > 2s
Encoder	ON/OFF turn left: Volume minus turn right: Volume plus		ON/OFF turn left: Volume minus turn right: Volume plus		ON/OFF turn left: Volume minus turn right: Volume plus	
BAL BASS TREB FAD	Encoder turn left: plus turn right: minus		Encoder turn left: plus turn right: minus		Encoder turn left: plus turn right: minus	
PTY/PROG	PTY	Program		Program		Program
TP	TP - Function ON/OFF		TP - Function ON/OFF		TP - Function ON/OFF	
SCAN		FM: Autostore RDS: Autostore				
RDS	RDS 1 / 2	RDS LEARN	RDS 1 / 2		RDS 1 / 2	
FM	FM 1 / 2		FM 1 / 2		FM 1 / 2	
CD6	MCD		MCD			
CD	CD				CD	
▶	FM: next station RDS: next station PTY: next type	FM: man. search RDS: RDS search PTY: PTY search	next track	Fast Forward	next track	Fast Forward
◀	FM: prev. station RDS: prev. station PTY: prev type	FM: man. search RDS: RDS search PTY: PTY search	prev. track	Fast Rewind	prev. track	Fast Rewind
1	preset 1 PTY: program type TREB/BAL/BASS/ FAD: sound 1	store frequency PTY: store program type TREB/BAL/BASS/ FAD: store sound 1		TRACK Scan	Load Disc 1	TRACK Scan
2	preset 2 PTY: program type TREB/BAL/BASS/ FAD: sound 2	store frequency PTY: store program type TREB/BAL/BASS/ FAD: store sound 2		TRACK Random	Load Disc 2	TRACK Random
3	preset 3 PTY: program type TREB/BAL/BASS/ FAD: sound 3	store frequency PTY: store program type TREB/BAL/BASS/ FAD: store sound 3		Pause	Load Disc 3	Pause
4	preset 4 PTY: program type TREB/BAL/BASS/ FAD: sound 4	store frequency PTY: store program type TREB/BAL/BASS/ FAD: store sound 4			Load Disc 4	CD Scan
5	preset 5 PTY: program type TREB/BAL/BASS/ FAD: sound 5	store frequency PTY: store program type TREB/BAL/BASS/ FAD: store sound 5			Load Disc 5	CD Random
6	preset 6 PTY: program type TREB/BAL/BASS/ FAD: sound linear	store frequency PTY: store program type		TRACK repeat	Load Disc 6	TRACK repeat





Tastenfunktionen im Programm-Modus
Key Functions in Program Mode

Program Mode										
Display	BEEP	SCV	LRN	REG	SPKR	CODE	IGN	ONVOL	TAVOL	SMVOL
	Roger Beep On/Off	SCV adjustment	Auto-learn On/Off	Region RDS On/Off	Telephone left/right	Code	Ignition On/Off	Switch ON max. volume	TA-Vol adjustment	Telephone Vol adjustment
Taste Key	Kurz drücken Push short	Kurz drücken Push short	Kurz drücken Push short	Kurz drücken Push short	Kurz drücken Push short	Kurz drücken Push short	Kurz drücken Push short	Kurz drücken Push short	Kurz drücken Push short	Kurz drücken Push short
▶	A: next Function B: ON/OFF	A: next Function B: OFF/LOW/MID/HIGH	A: next Function B: ON/OFF	A: next Function B: ON/OFF	A: next Function B: LEF/RIG	A: next Function	A: next Function B: ON/OFF	A: next Function B: 0 ... 63	A: next Function B: 5 ... 35	A: next Function B: -- ... 35
◀	A: prev. Function B: ON/OFF	A: prev. Function B: HIGH/MID/LOW/OFF	A: prev. Function B: ON/OFF	A: prev. Function B: ON/OFF	A: prev. Function B: LEF/RIG	A: prev. Function	A: prev. Function B: ON/OFF	A: prev. Function B: 0 ... 63	A: prev. Function B: 5 ... 35	A: prev. Function B: -- ... 35
1						B: Code: 1.digit				
2						B: Code: 2.digit				
3						B: Code: 3.digit				
4						B: Code: 4.digit				
PTY	A ↔ B	A ↔ B	A ↔ B	A ↔ B	A ↔ B	A ↔ B	A ↔ B	A ↔ B	A ↔ B	A ↔ B

Service Hinweis

Geräte, bei denen das Tunermodul oder das EEPROM (CIC802) getauscht werden muss, sowie Geräte die nach dem Einschalten die Meldung "INIT" im Display zeigen, müssen zur Zentralreparatur an GRUNDIG geschickt werden. Von dort erhalten Sie umgehend ein Austauschgerät.
 Die Abwicklungskosten im Garantiefall stellen Sie, wie gewohnt, monatlich an CIS-Service in Rechnung; Anlage ist der Lieferschein über das Ersatzgerät.

Adresse: GRUNDIG Central Service
 Tor 8
 Beuthener Str. 55
 90471 Nürnberg

Service Hint

Units on which the tuner module or the EEPROM (CIC802) has been replaced, or units which show the message "INIT" in the display after switching on, must be sent to the Central Service department of GRUNDIG. From there you will immediately obtain a replacement unit.
 For the handling costs in the event of guarantee claims charge monthly as usual the CIS Service department; the enclosure is the delivery note for the replacement unit.

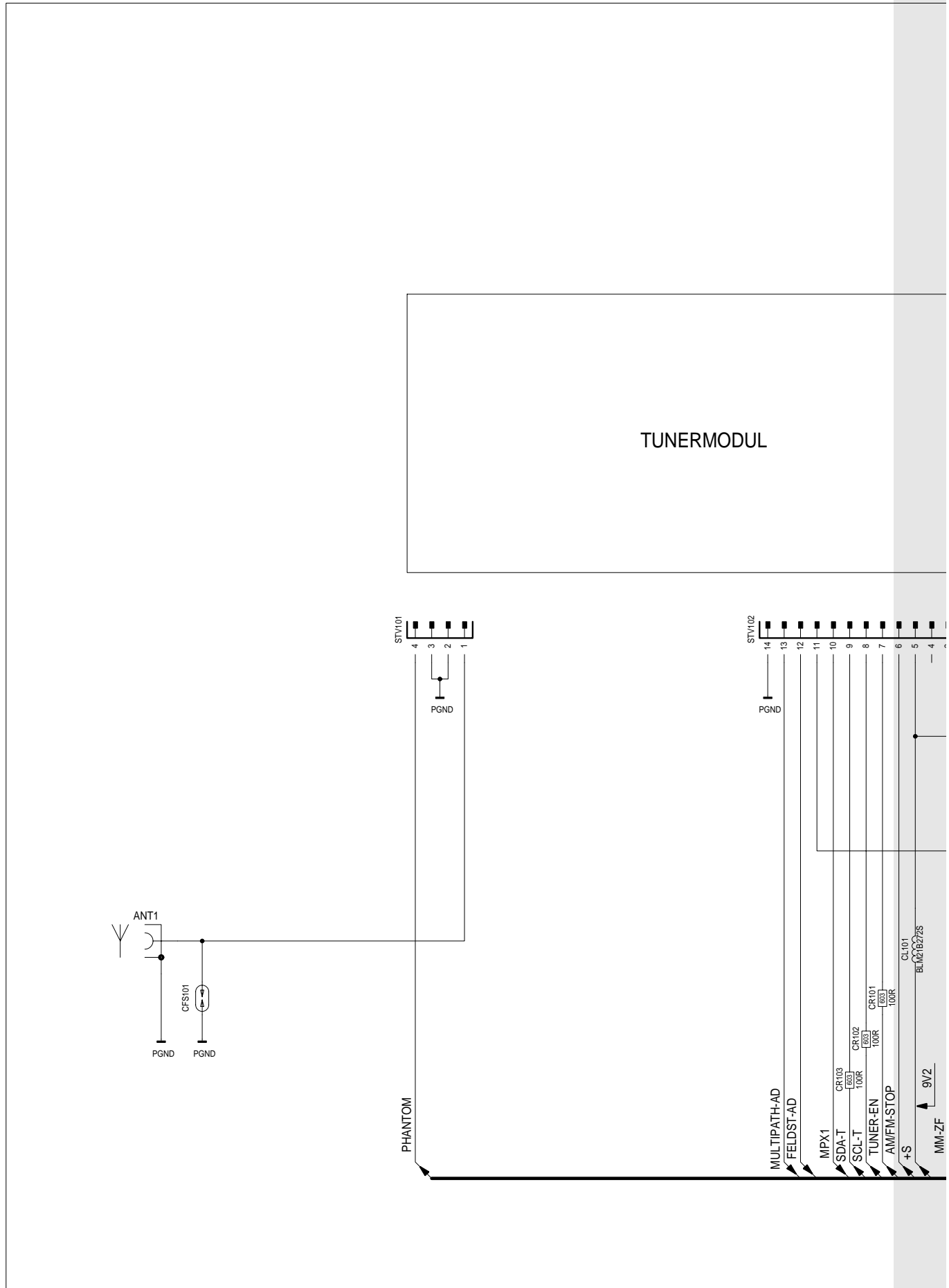
Address: GRUNDIG Central Service
 Tor 8
 Beuthener Str. 55
 D-90471 Nuernberg

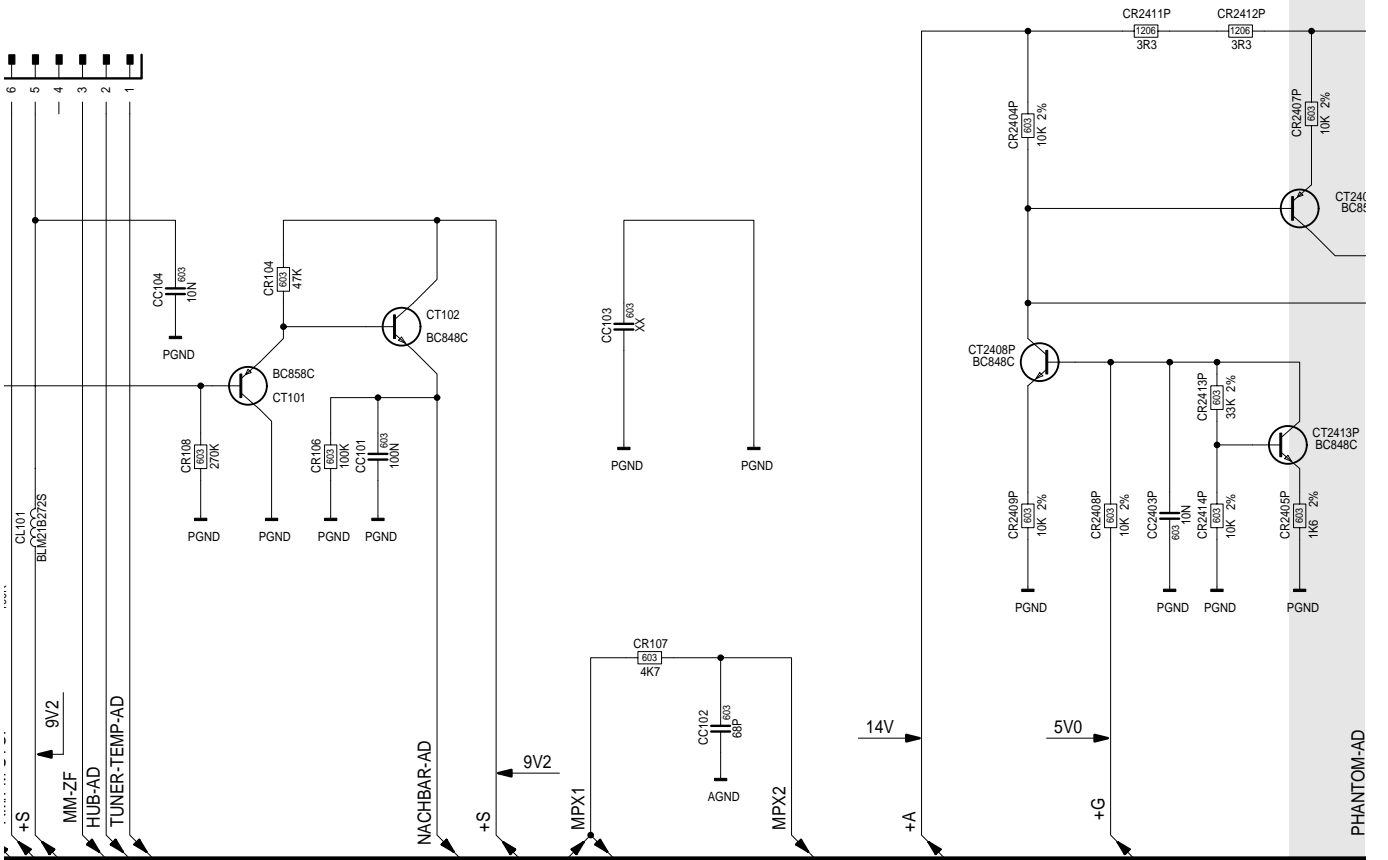




Schaltpläne und Platinenabbildungen / Circuit Diagrams and Layout of the PCBs

HF-Teil / RF Part

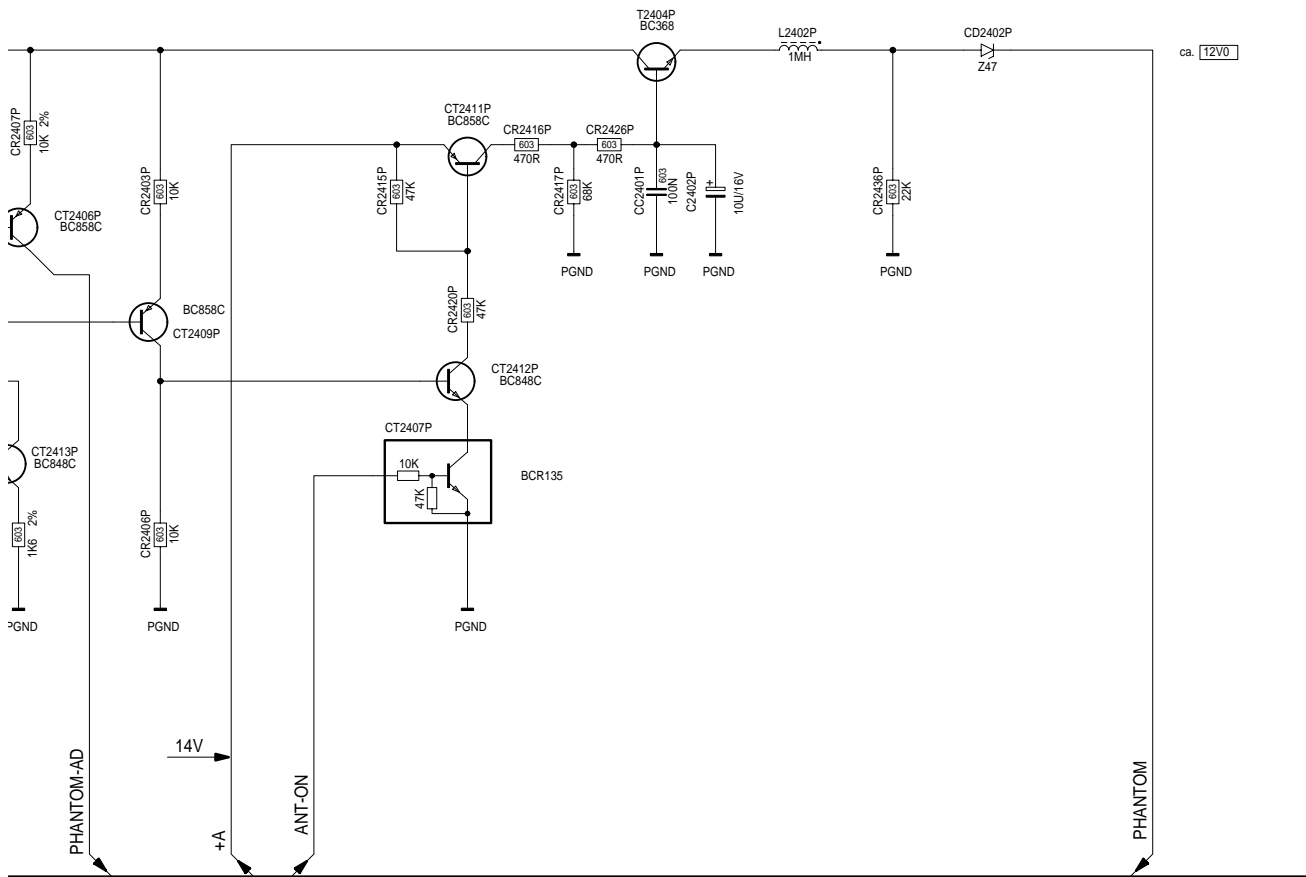






SPANNUNGSVERSORGUNG FUER AKTIVANTENNE

VOLTAGE SUPPLY FOR ACTIVE AERIAL (DC)

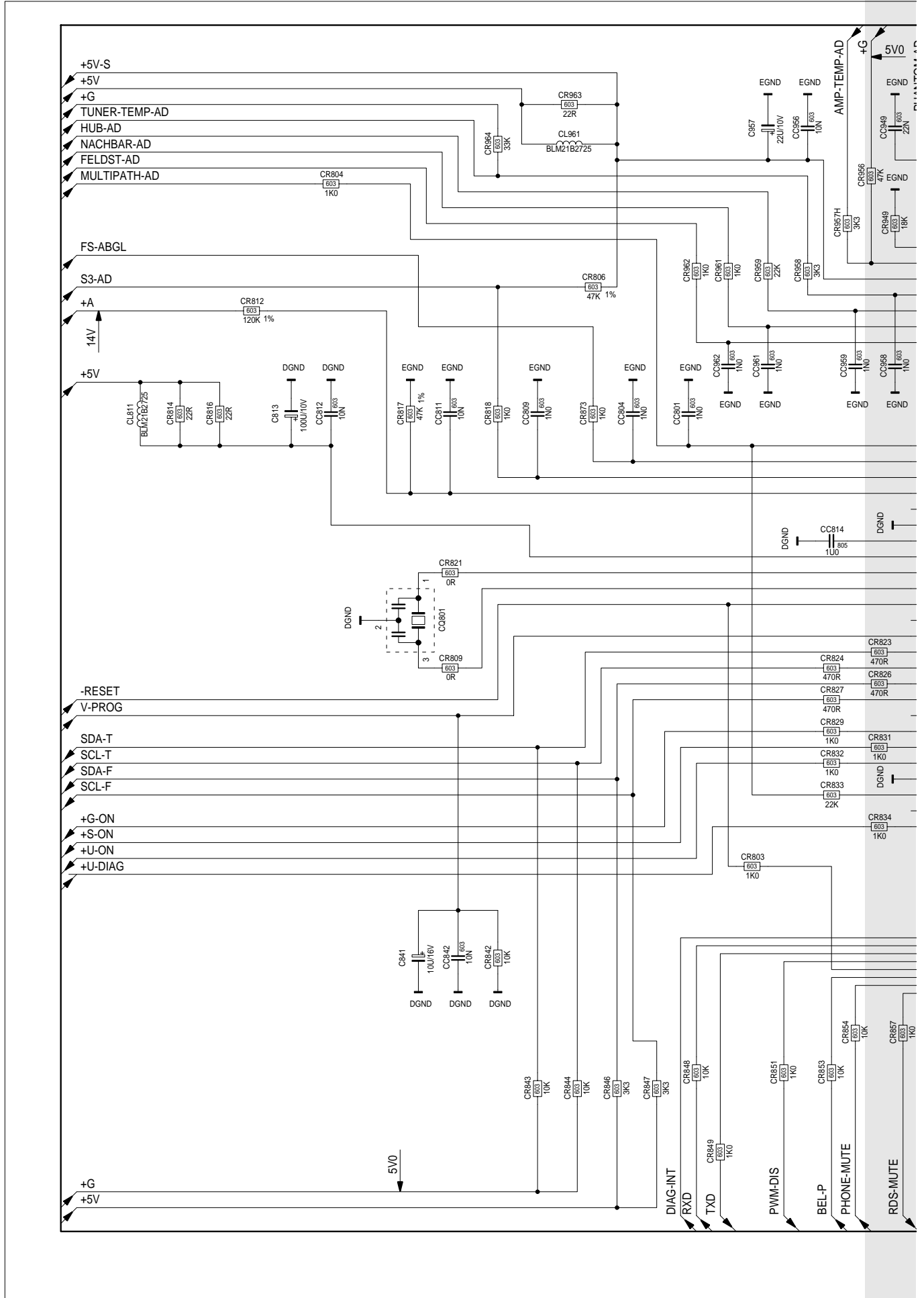


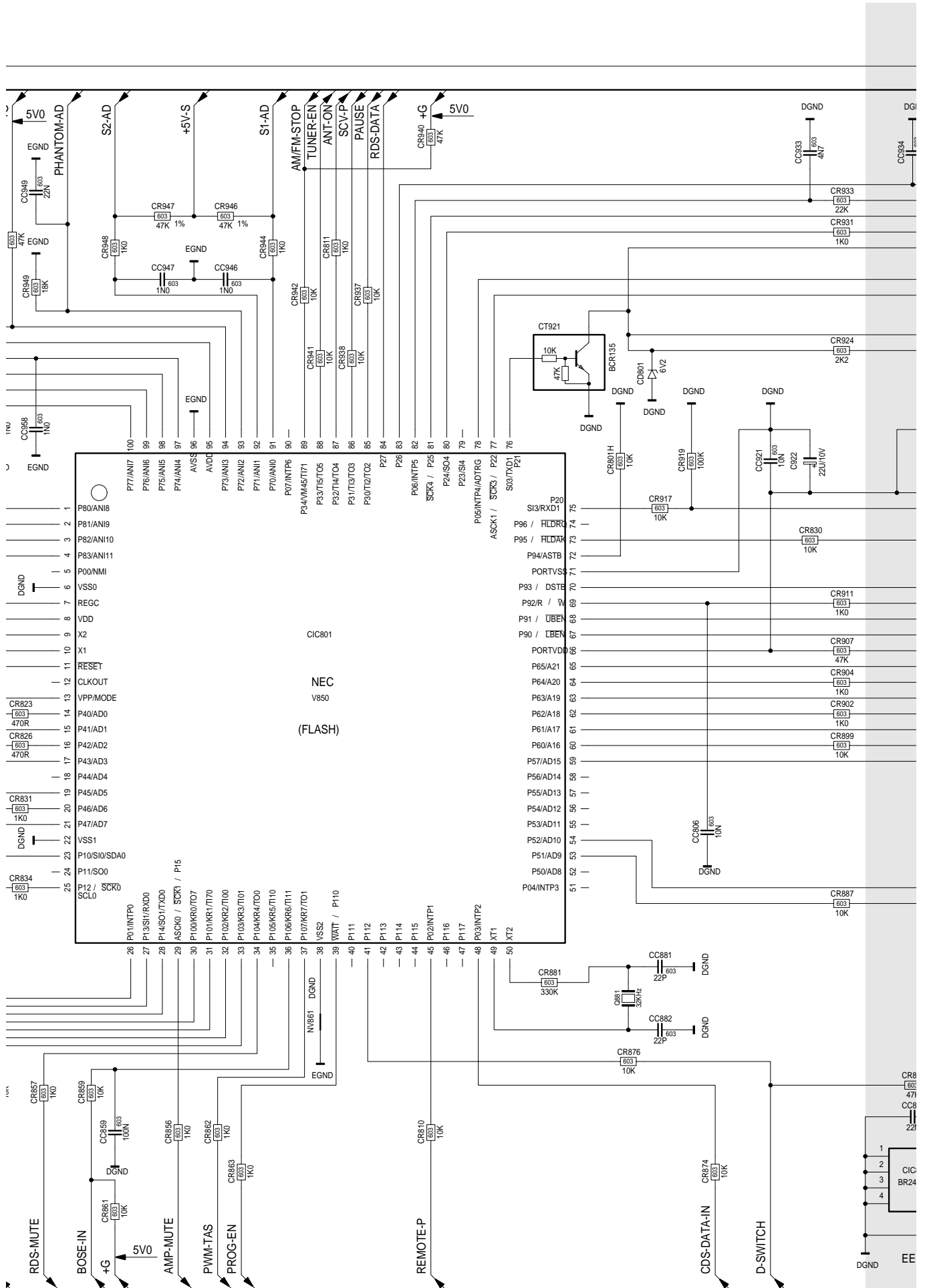
09.04.01

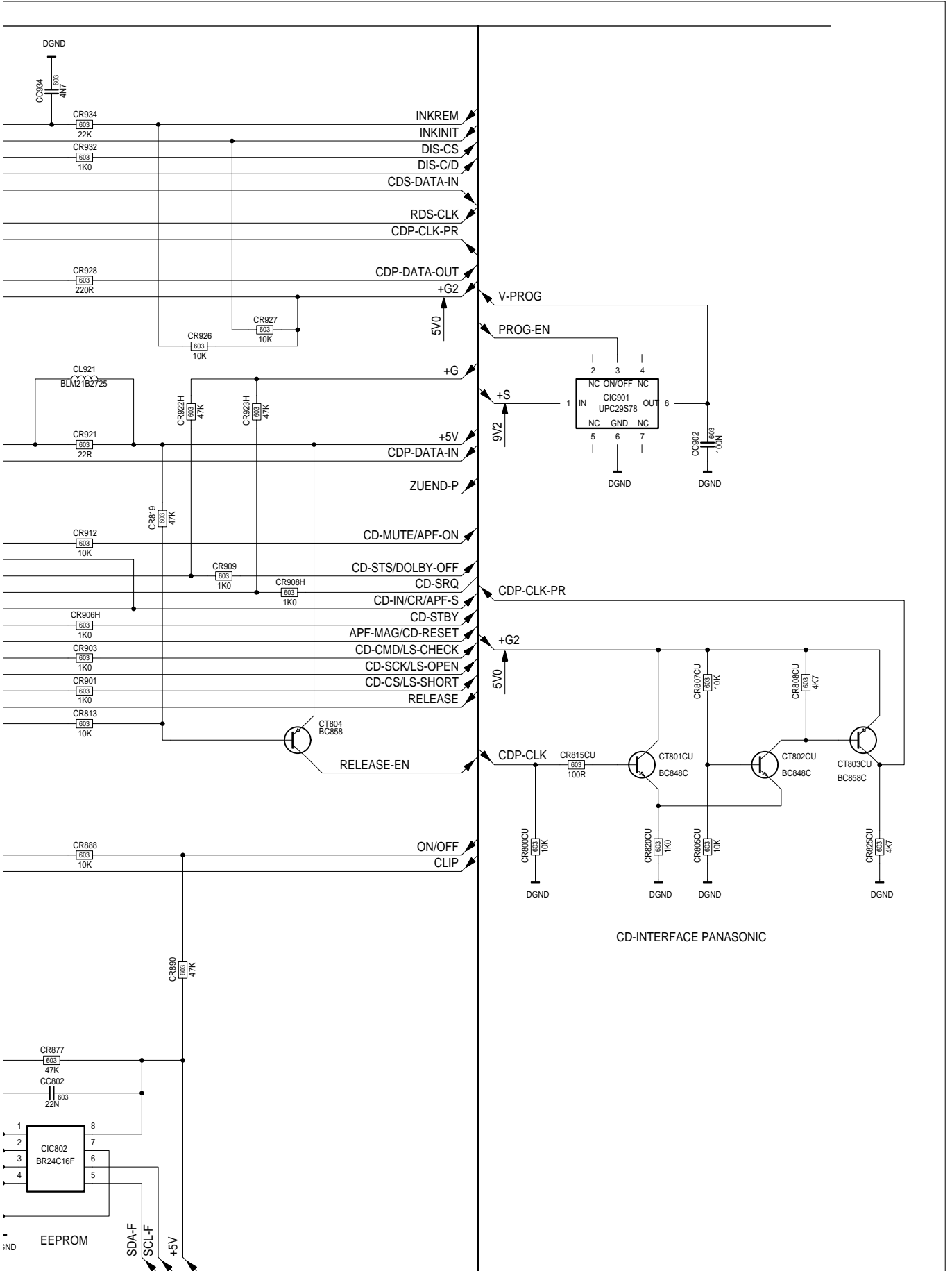




Prozessor-Teil / Processor Part

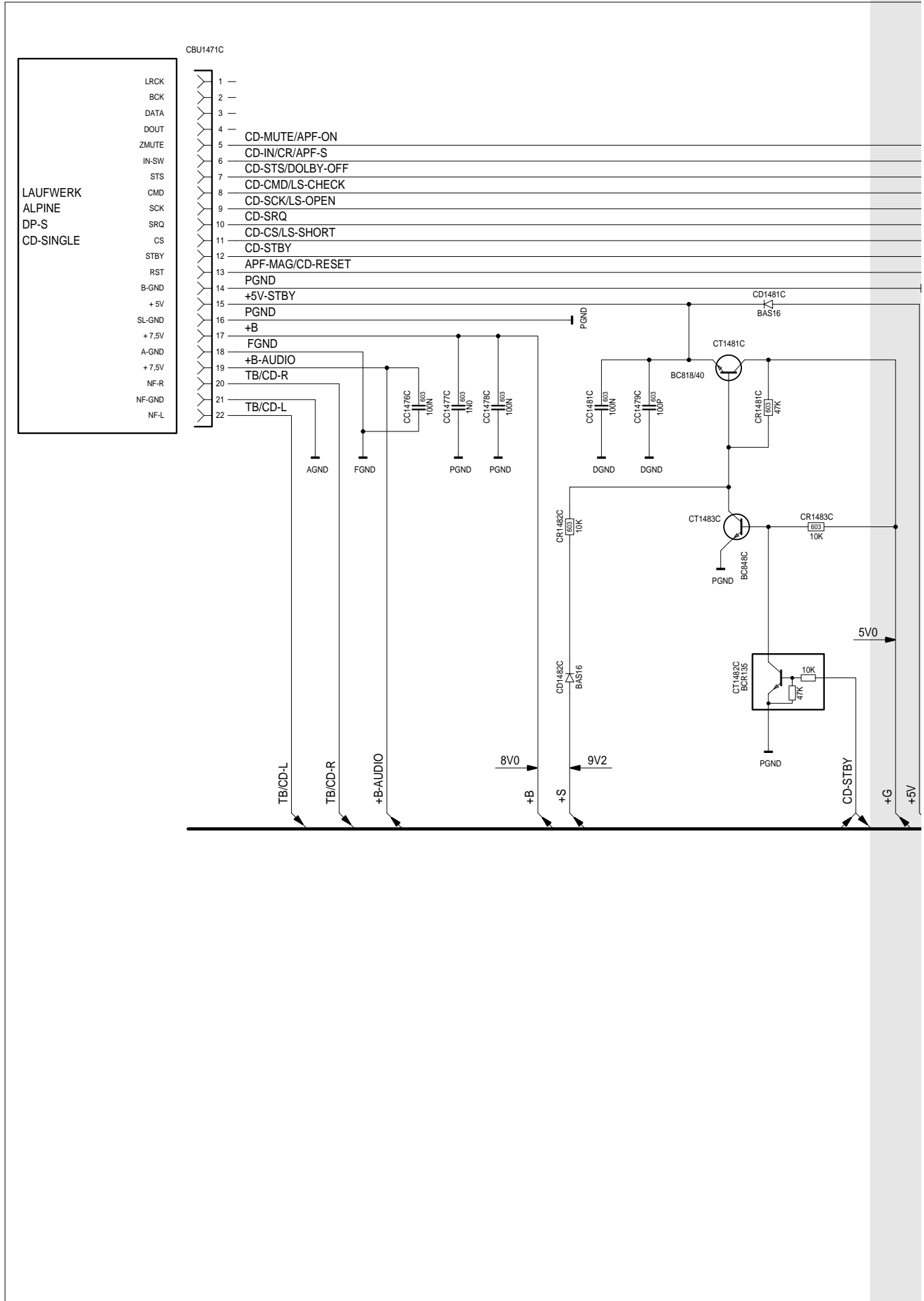


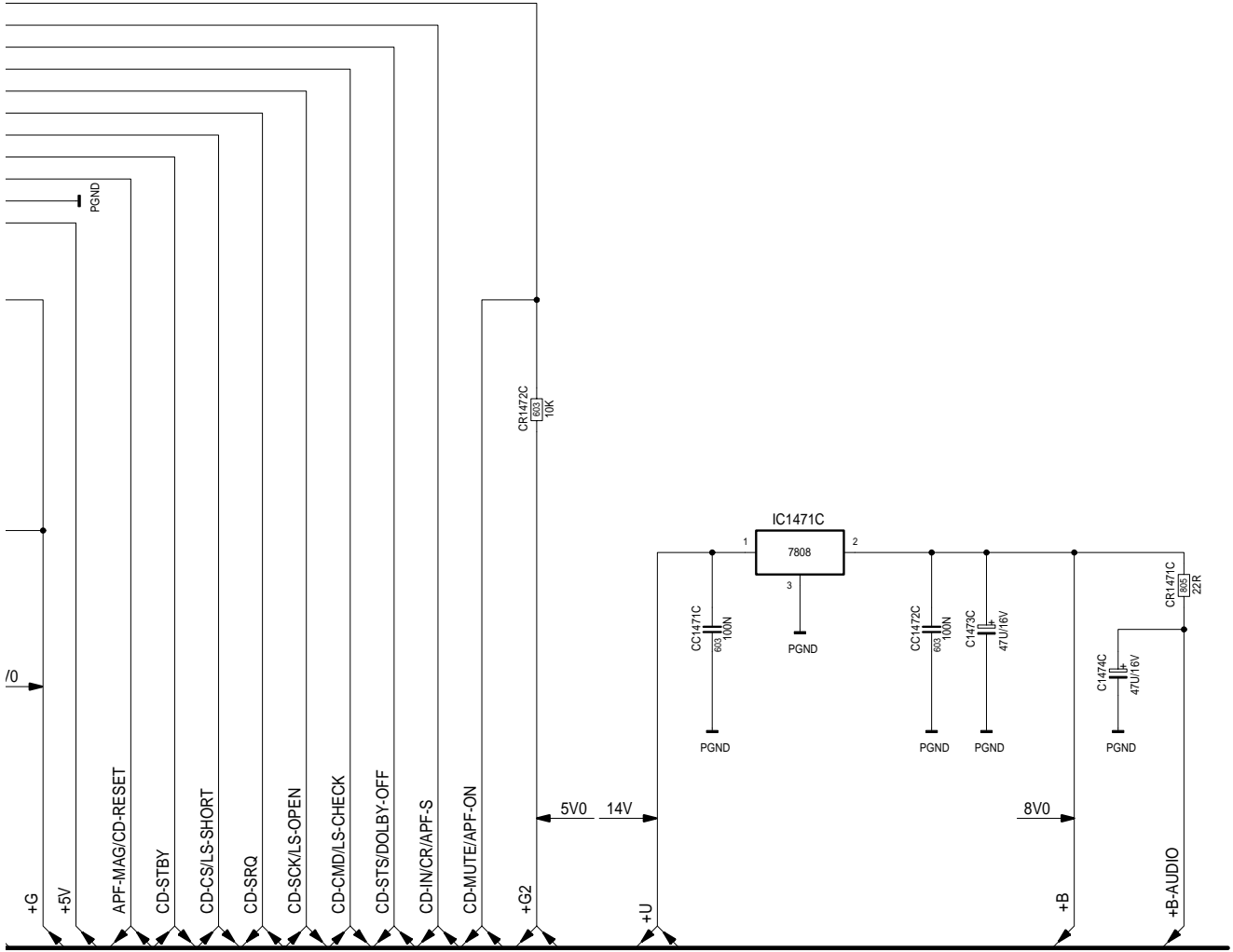






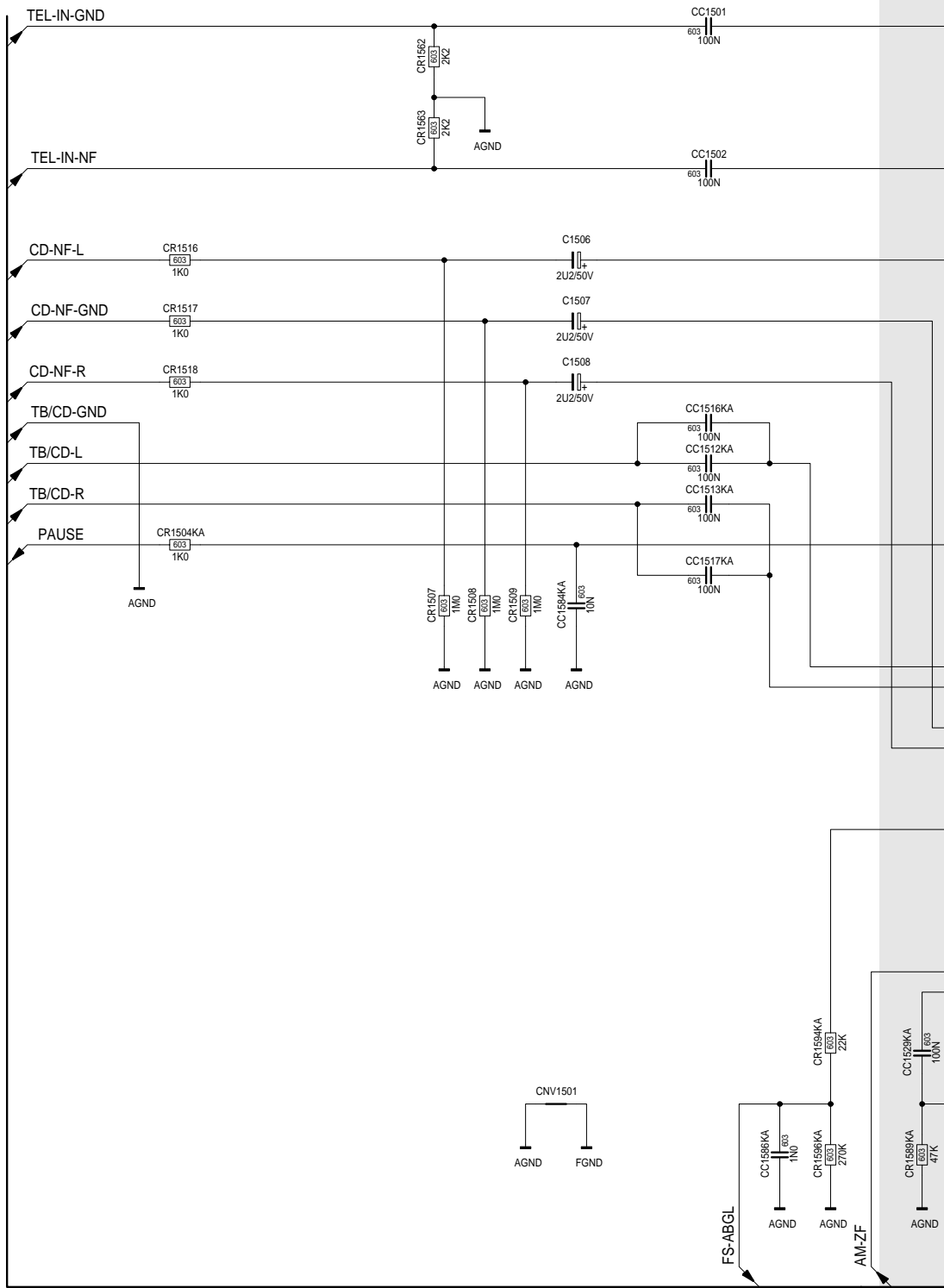
CD-Teil / CD Part

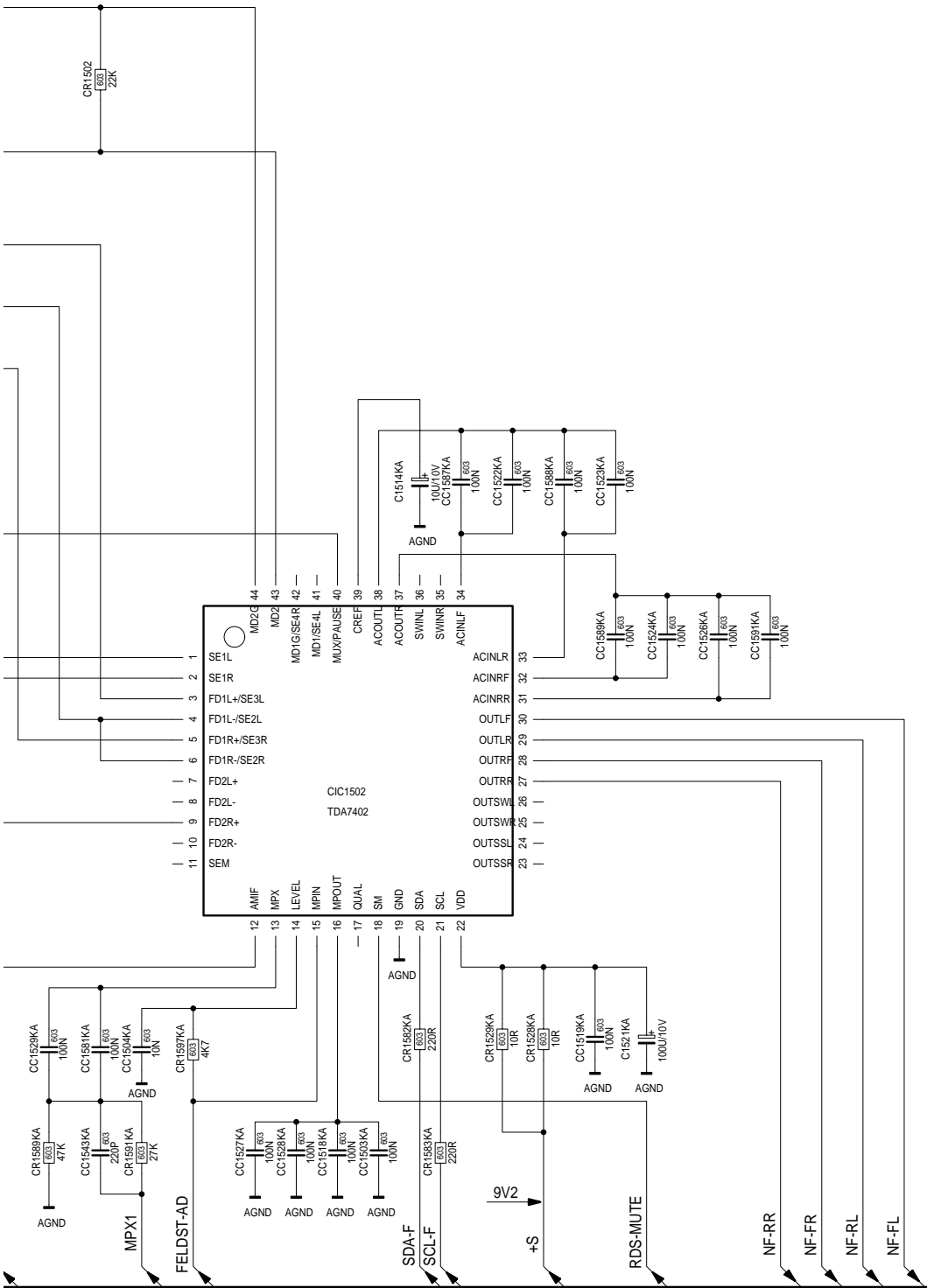






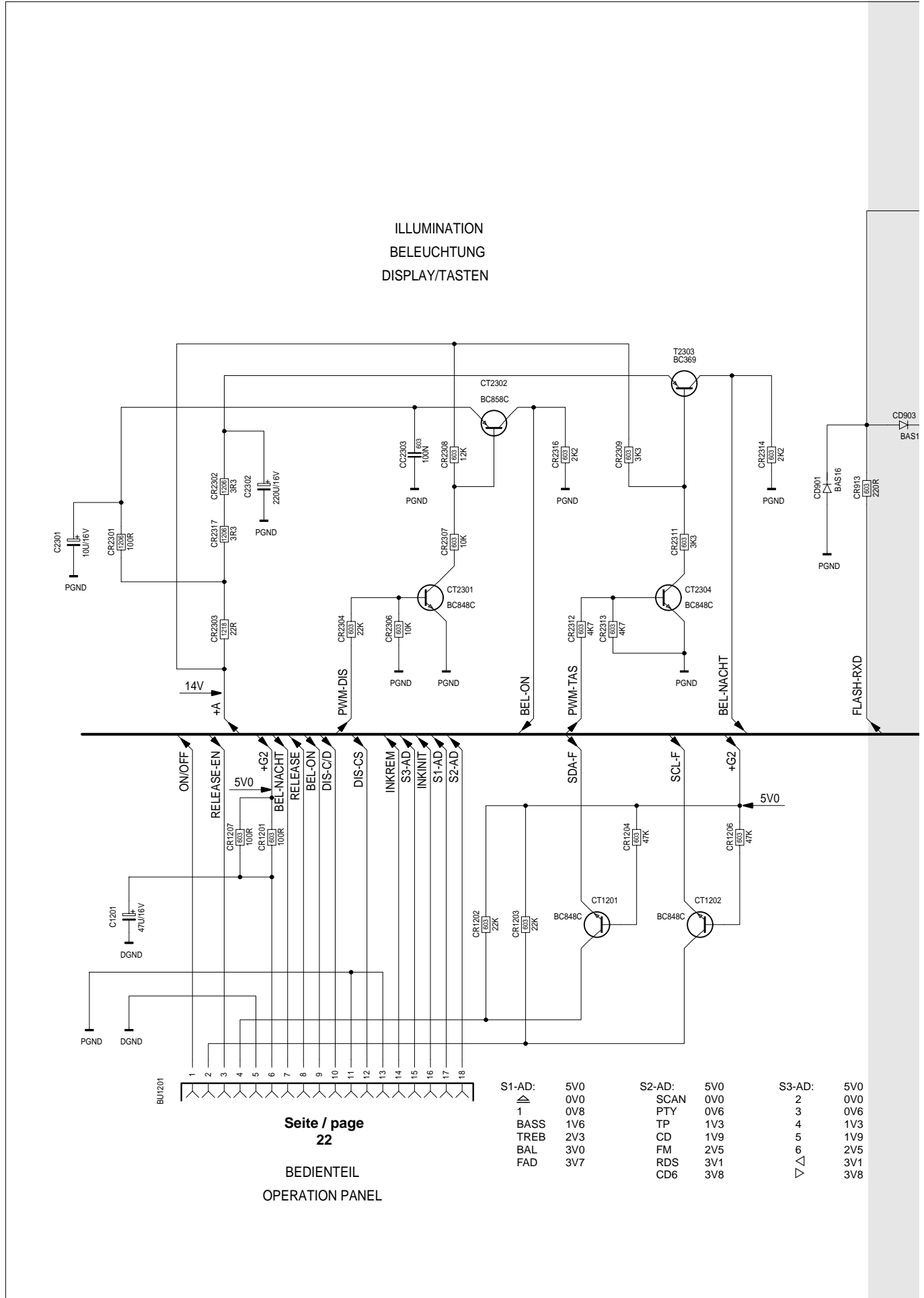
Klangsteller / Sound Control





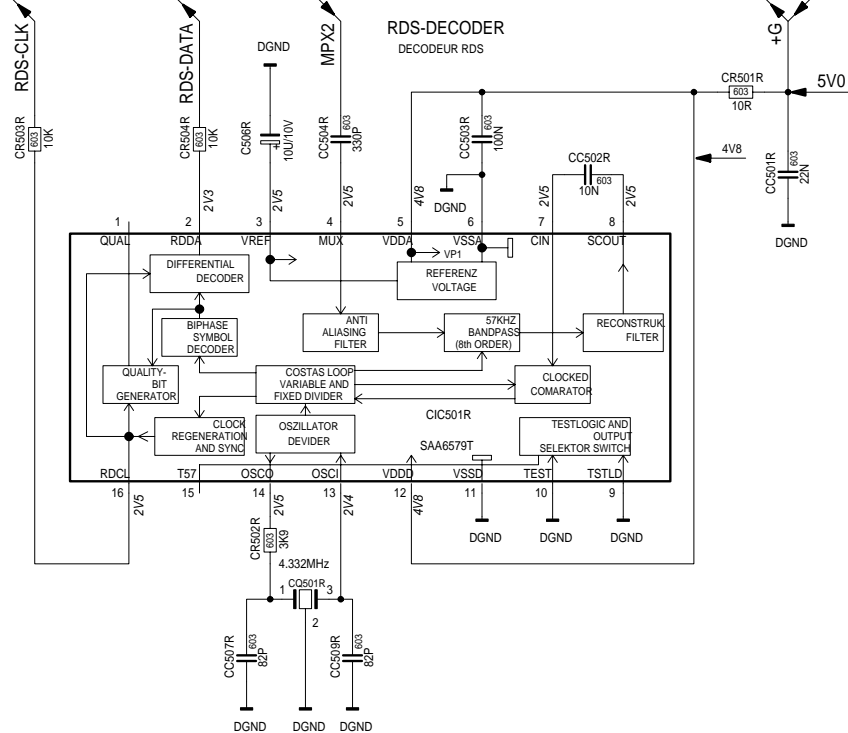
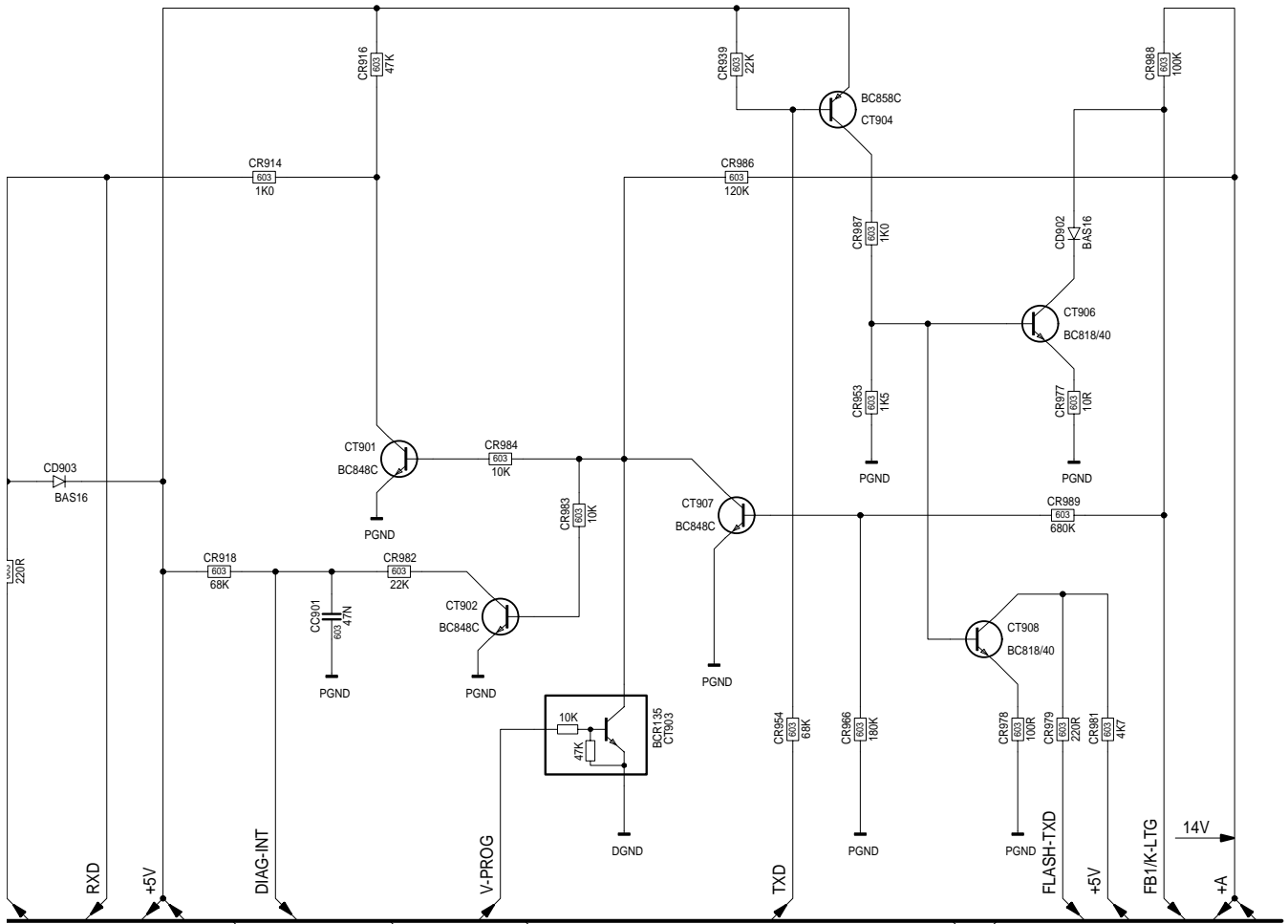


RDS, Interfaces



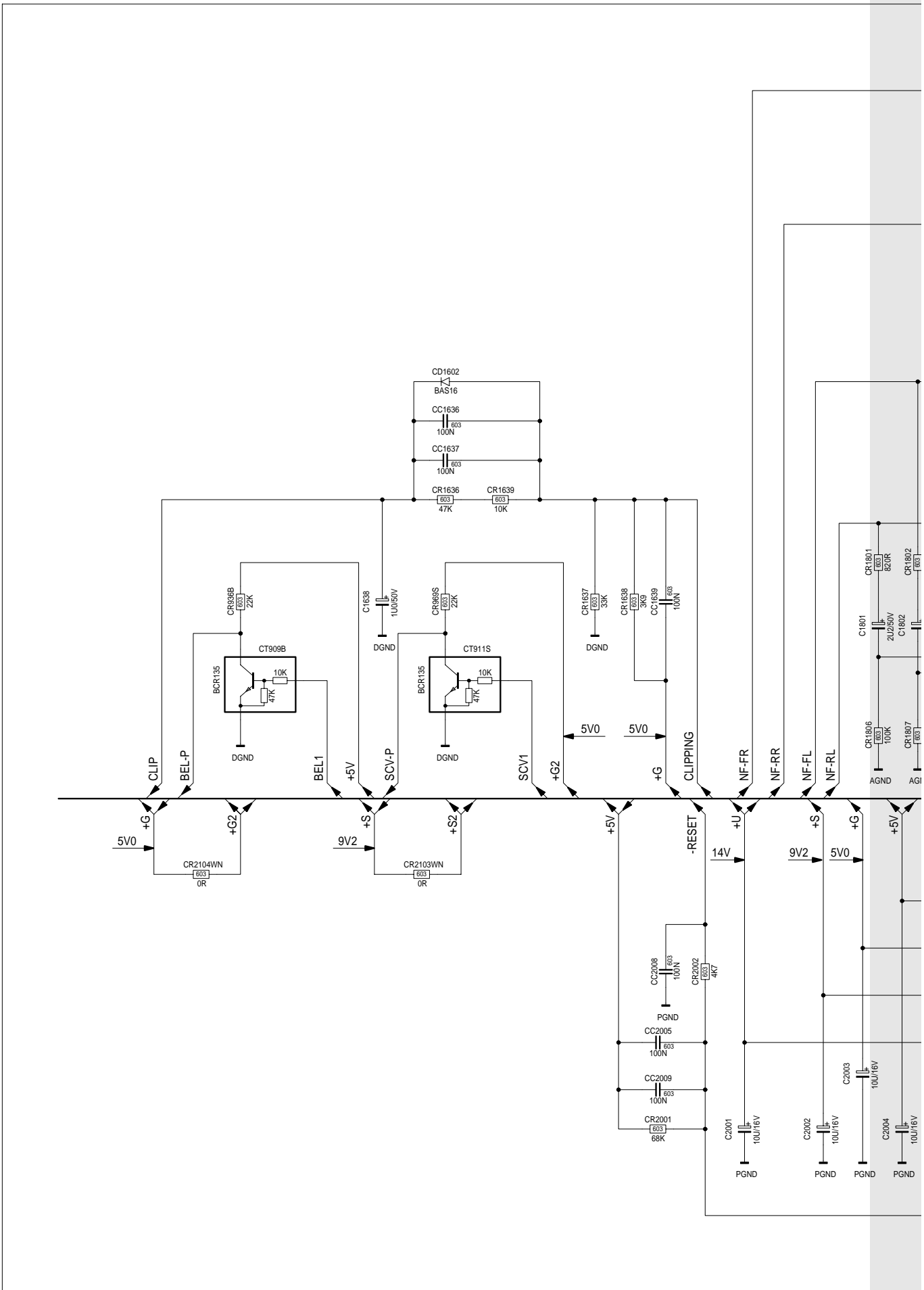


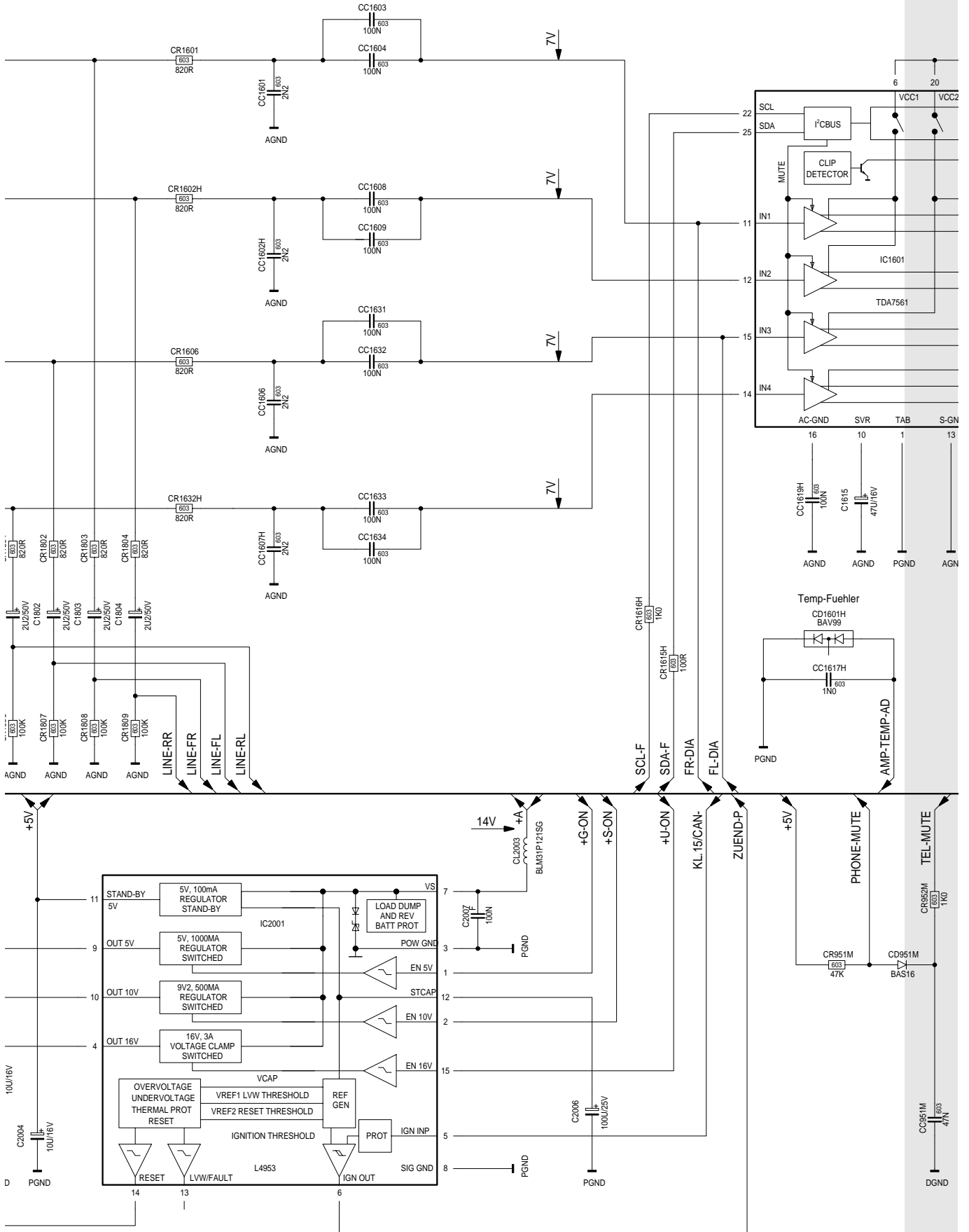
K-DIAGNOSE/PROD.-BUS INTERFACE

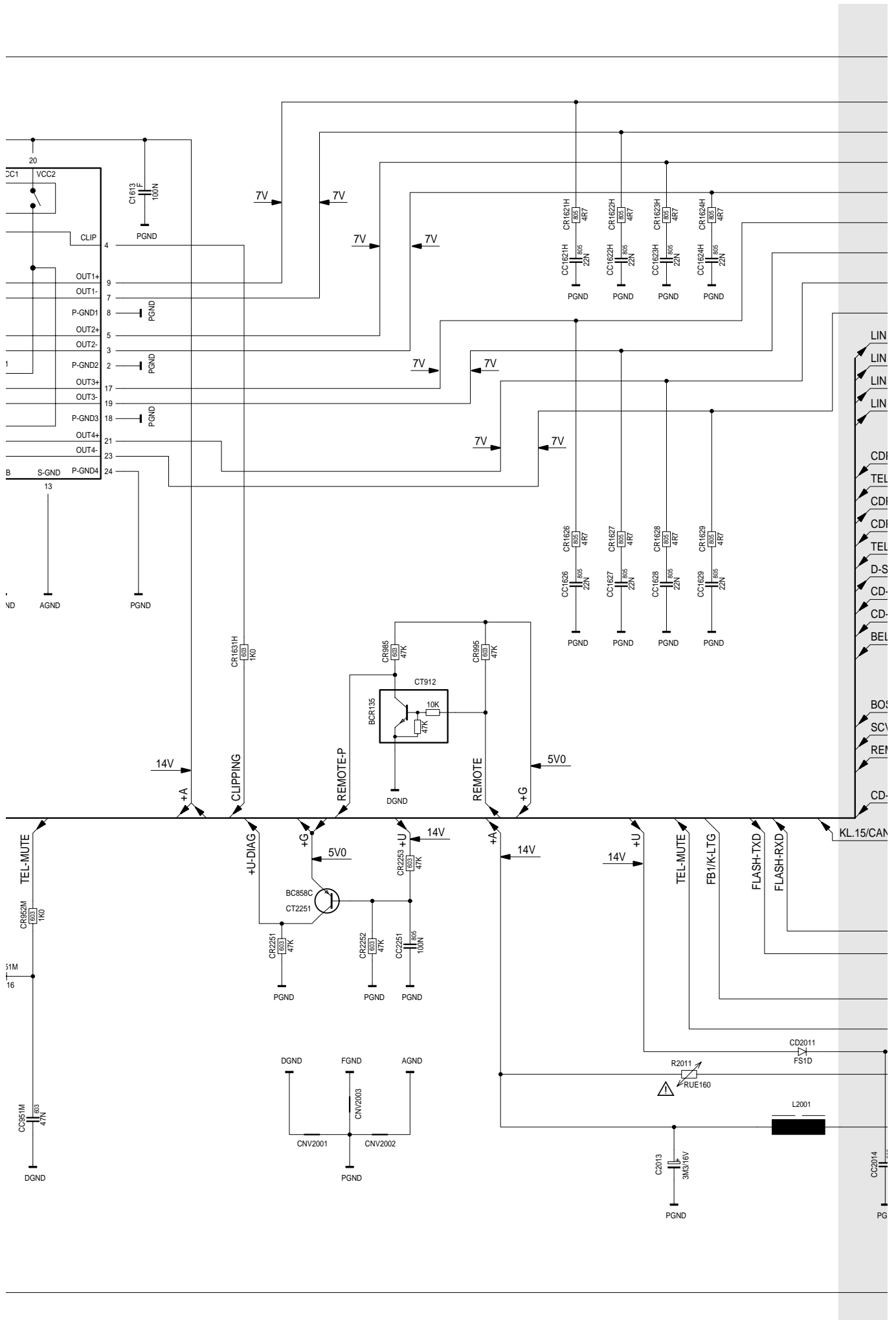


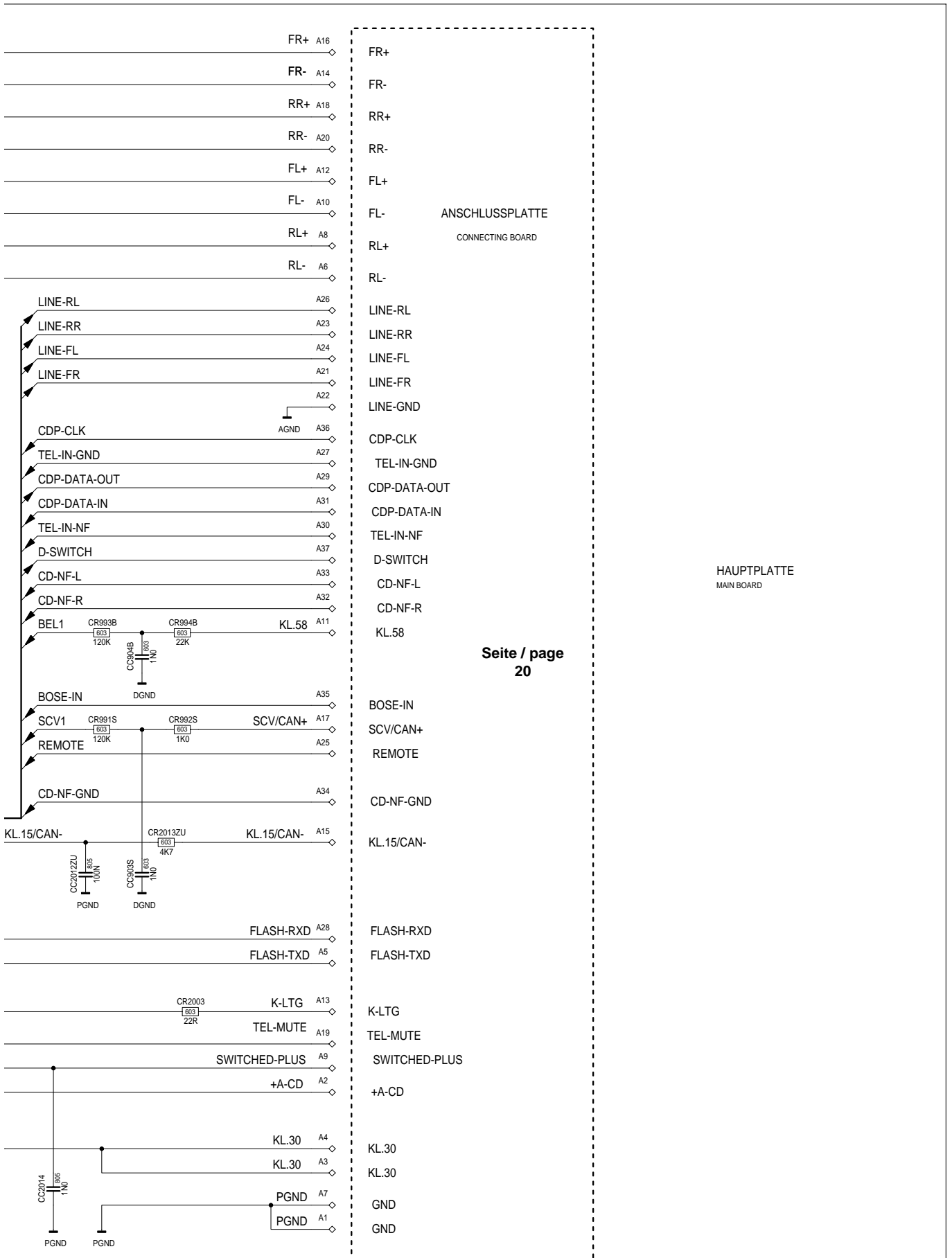


NF-Teil / AF Part





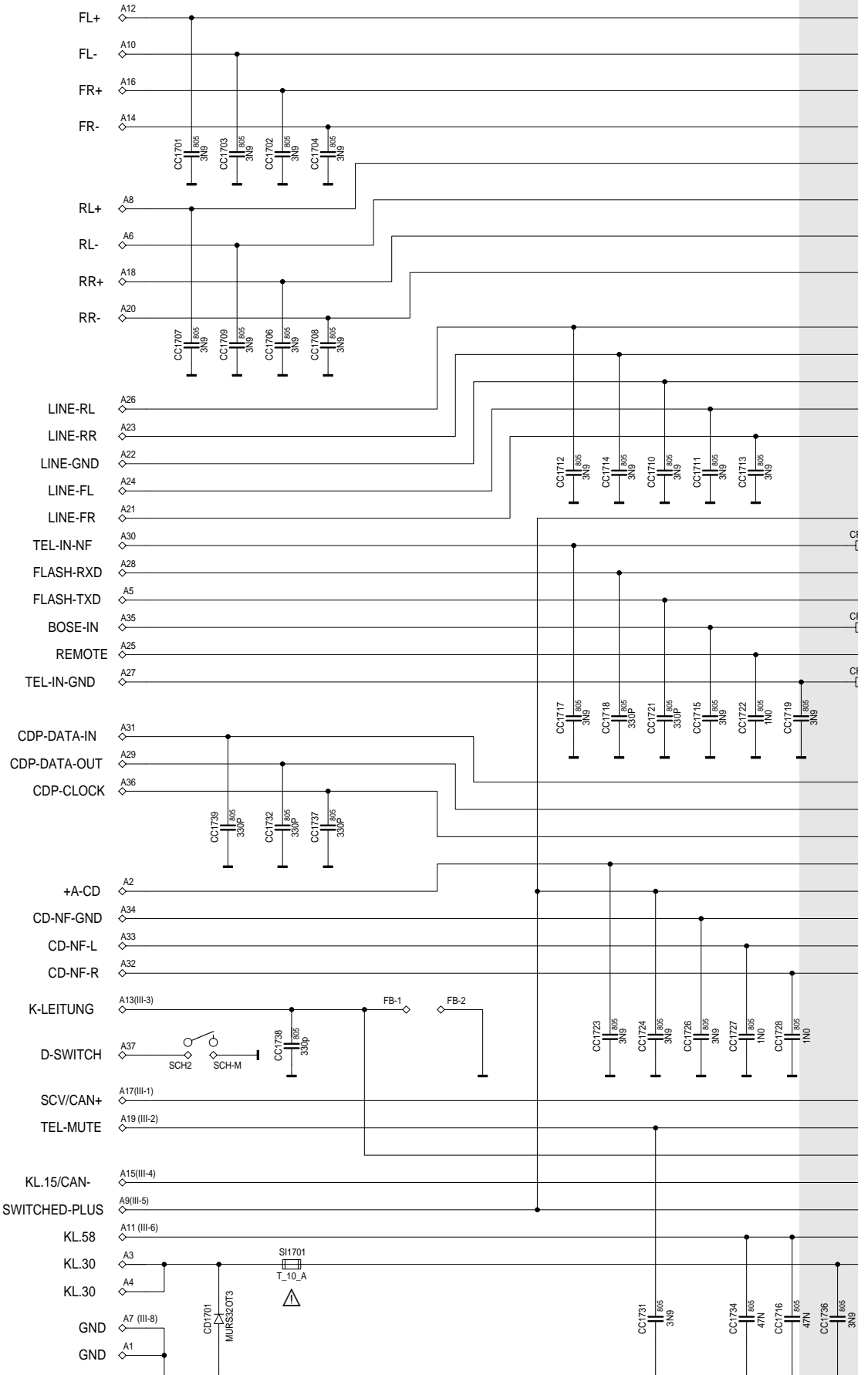




Seite / page
20

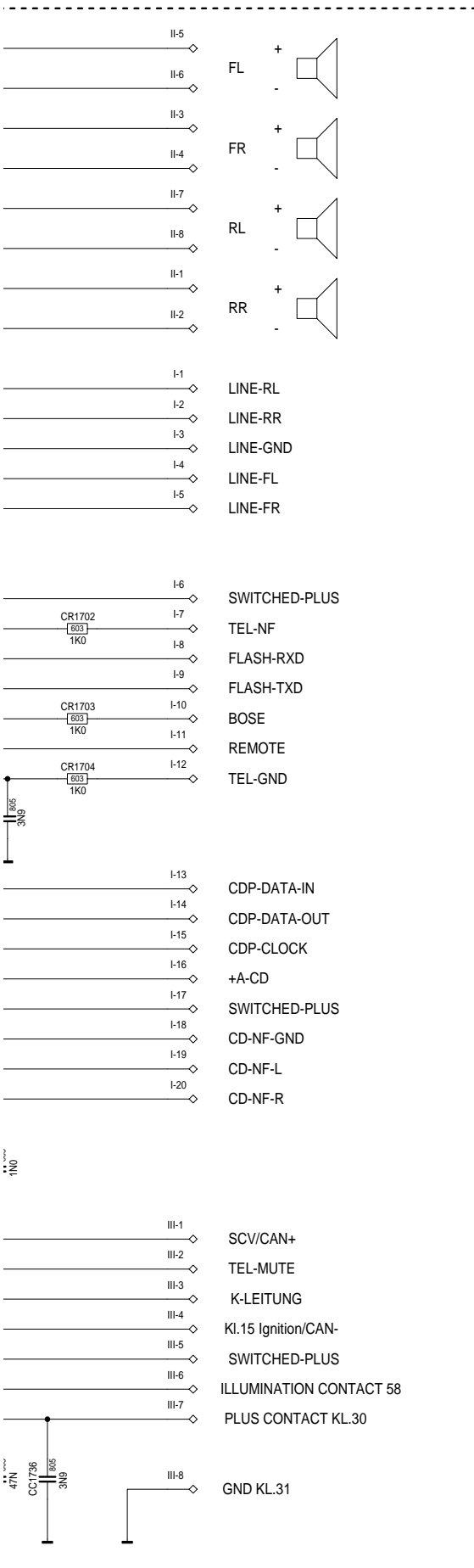


Anschluss-Platte / Connection Board



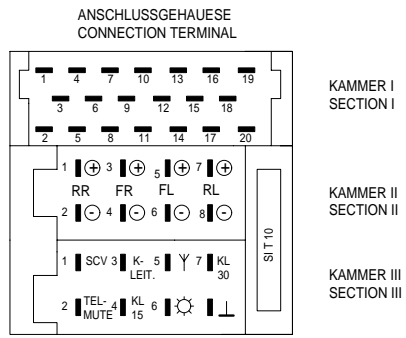
Seite / page
19





KAMMER I / SECTION I			
1	LINE-RL	11	REMOTE
2	LINE-RR	12	TEL-GND
3	LINE-GND	13	CDP-DATA-IN
4	LINE-FL	14	CDP-DATA-OUT
5	LINE-FR	15	CDP-CLOCK
6	SWITCHED PLUS	16	+A-CD
7	TEL-NF	17	SWITCHED PLUS
8	FLASH-RXD	18	CD-NF-GND
9	FLASH-TXD	19	CD-NF-L
10	BOSE	20	CD-NF-R

KAMMER II / SECTION II	KAMMER III / SECTION III		
1	RR+	1	SCV/CAN+
2	RR-	2	TEL-MUTE
3	FR+	3	K-LEITUNG
4	FR-	4	KL.15 IGNITION/CAN-
5	FL+	5	SWITCHED PLUS
6	FL-	6	ILLUMINATION CONTACT 58
7	RL+	7	PLUS CONTACT 30
8	RL-	8	GROUND CONTACT 31

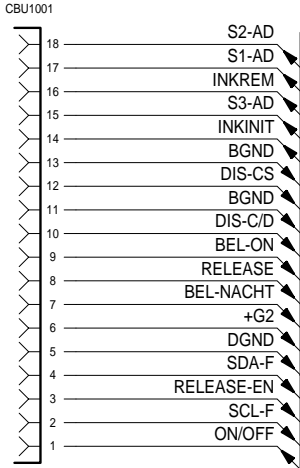


ANSCHLUSSPLATTE
CONNECTION BOARD

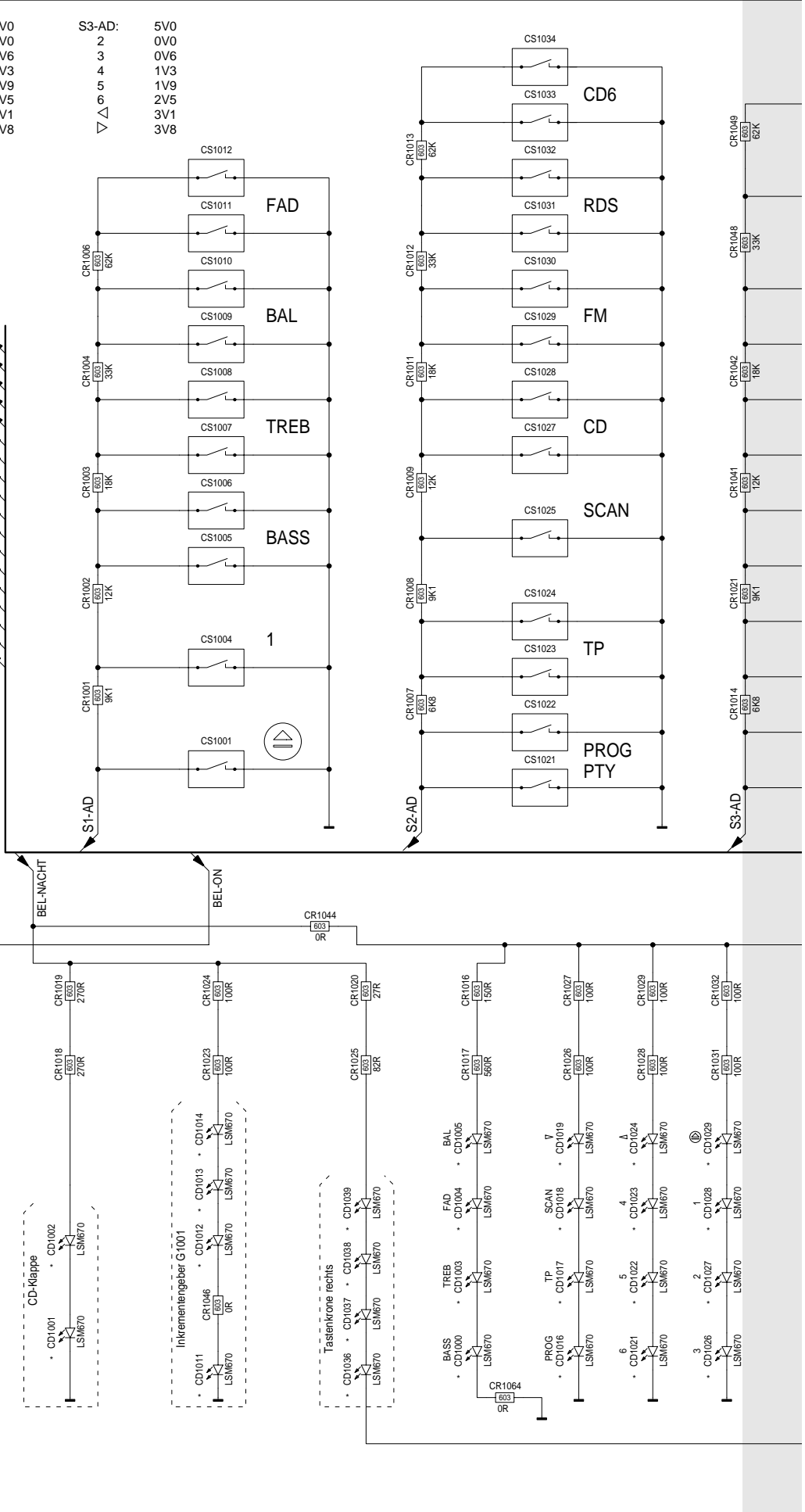


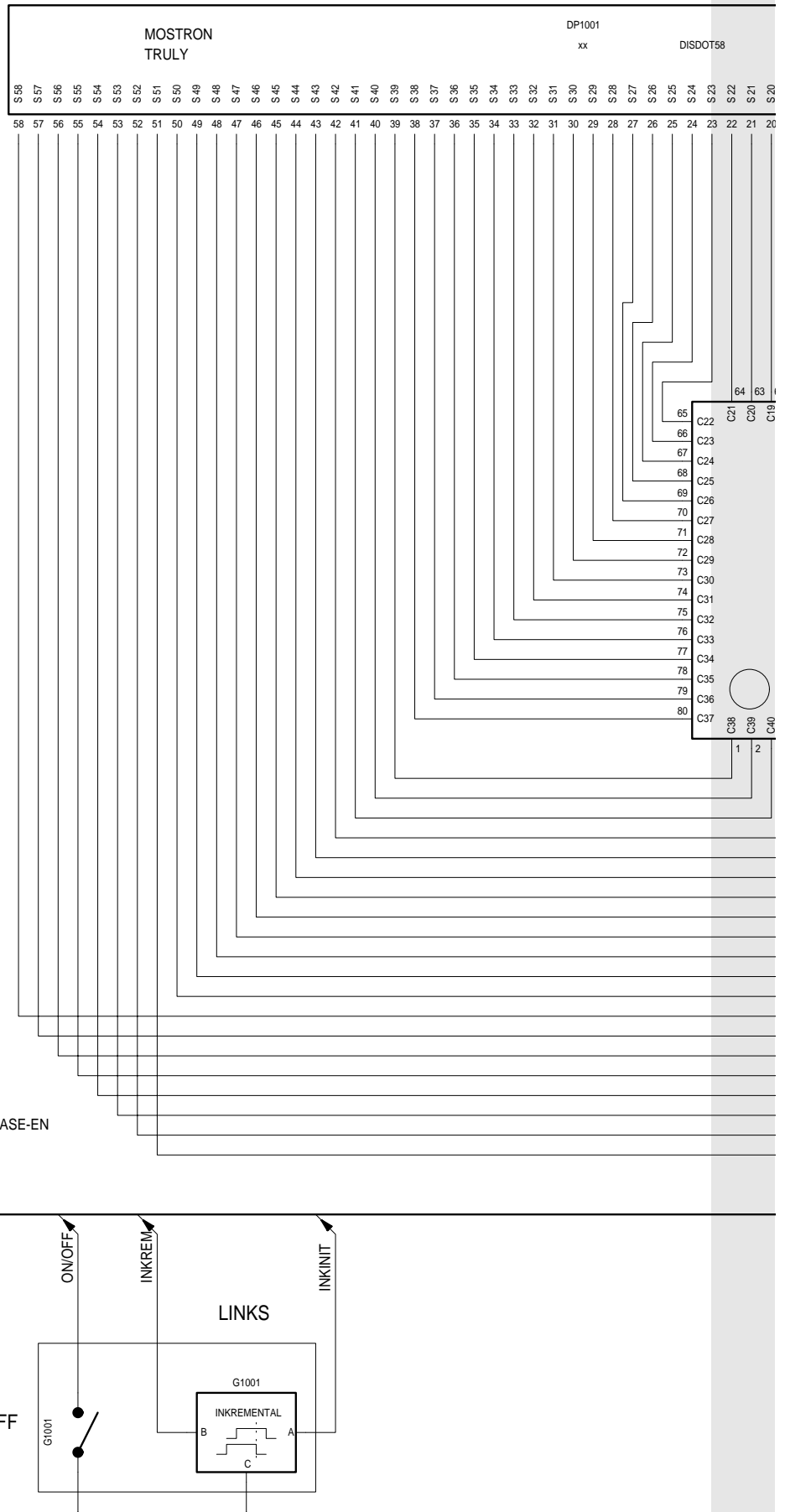
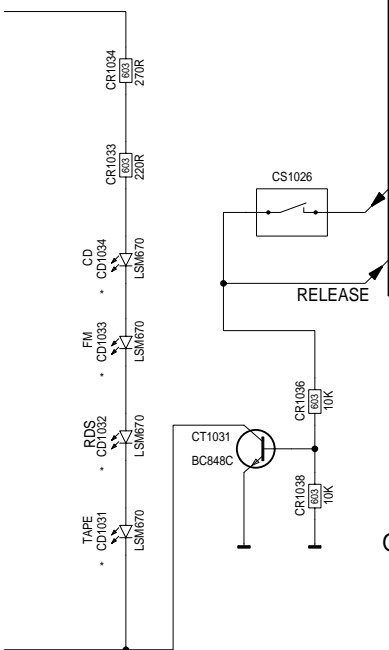
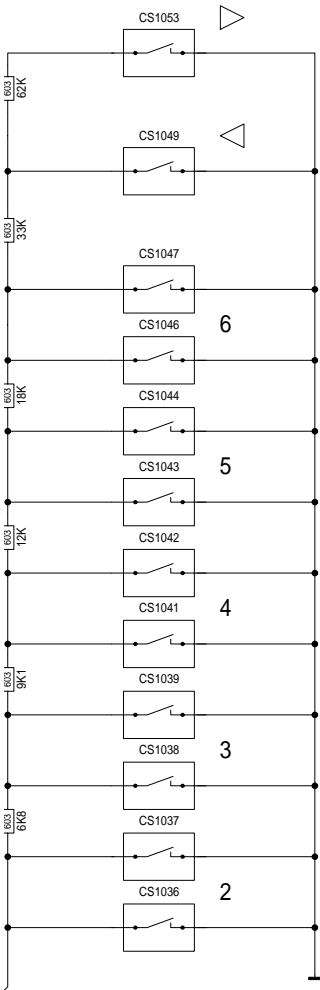
Bedien-Platte / Operating Board

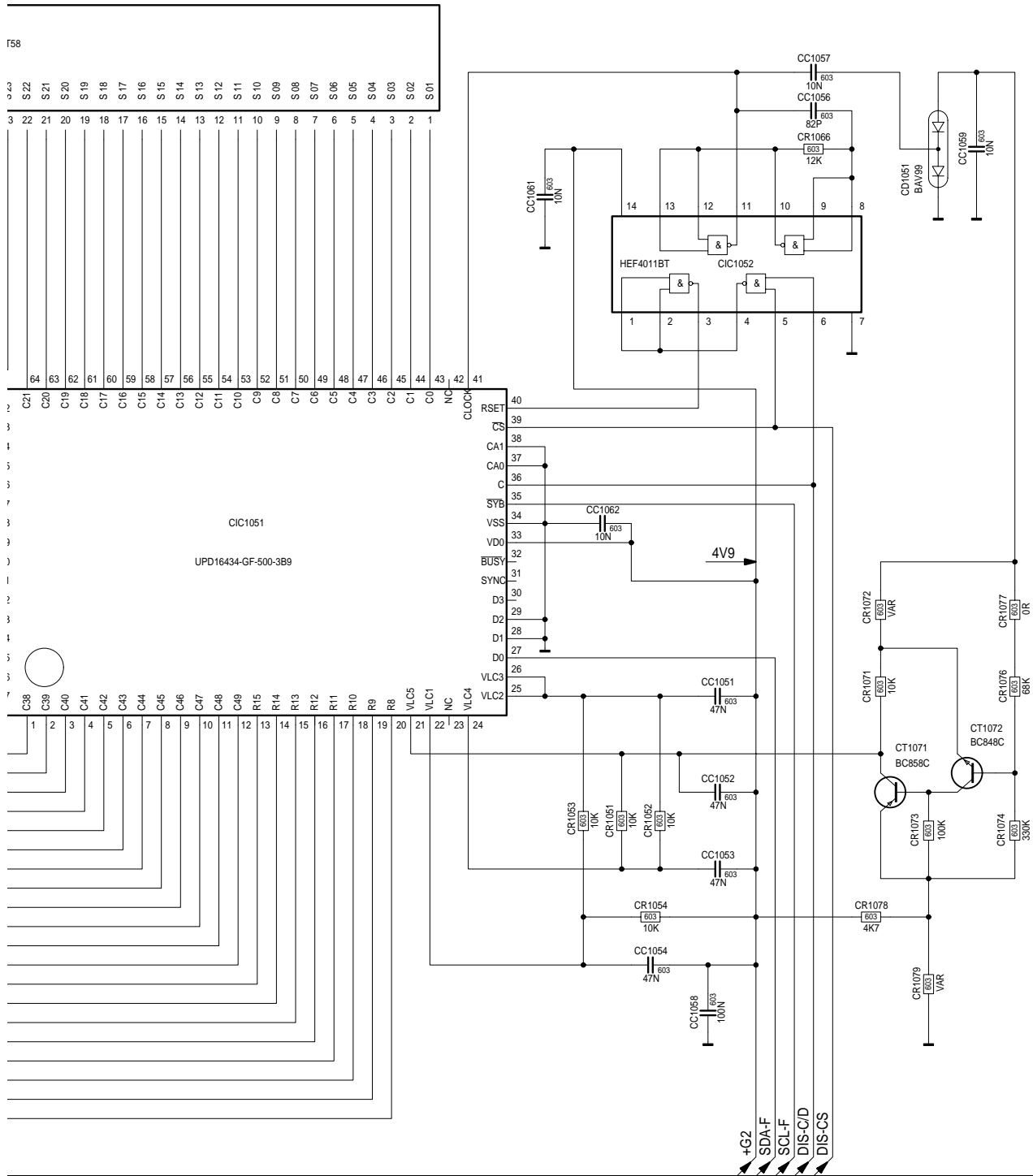
S1-AD:	5V0	S2-AD:	5V0	S3-AD:	5V0
△	0V0	SCAN	0V0	2	0V0
1	0V8	PTY	0V6	3	0V6
BASS	1V6	TP	1V3	4	1V3
TREB	2V3	CD	1V9	5	1V9
BAL	3V0	FM	2V5	6	2V5
FAD	3V7	RDS	3V1	▽△	3V1
		CD6	3V8		3V8



Seite / page
14







BEDIENTEIL
OPERATING BOARD

DISPLAY	MOSTRON	TRULY
CR1079	820R	1,2K
CR1072	180R	56R

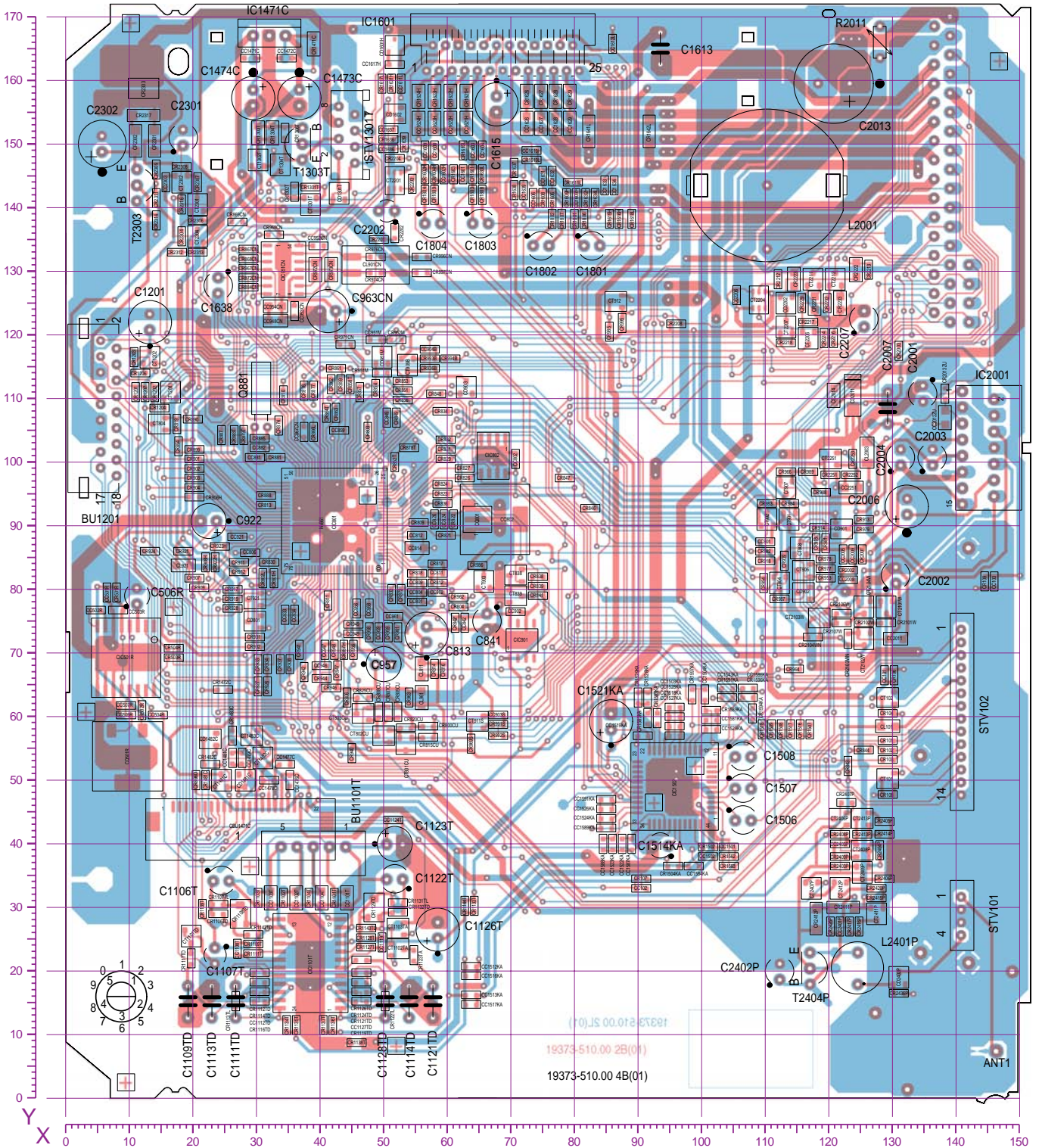
* = BAUTEILE REFLOWSEITE
COMPONENTS ON REFLOW SIDE





Hauptplatte / Main Board

Sicht auf Bestückungsseite / View on Component Side





Bauteil-Koordinaten der Bauteile der Bestückungsseite
Coordinates of components on the component side

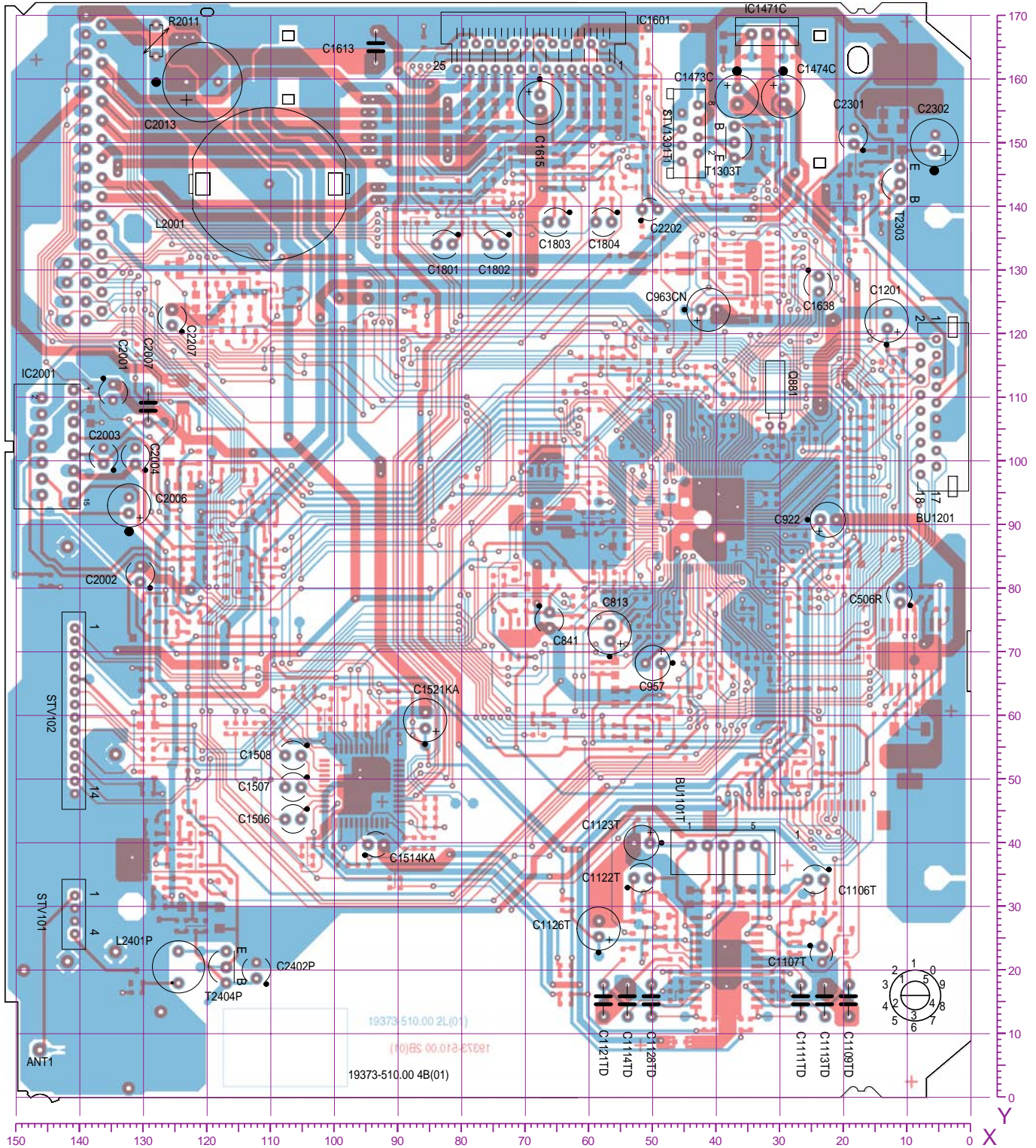
Table with 10 columns: Pos.-Nr./Pos. No., Koordinaten/Coordinates (X, Y), and 10 component identifiers (ANT01, BU1101T, C506R, etc.) with their respective X and Y coordinates.





Hauptplatte / Main Board

Bedrahtete Bauteile, Sicht auf Lötseite / Wired Componets, View on Solder Side

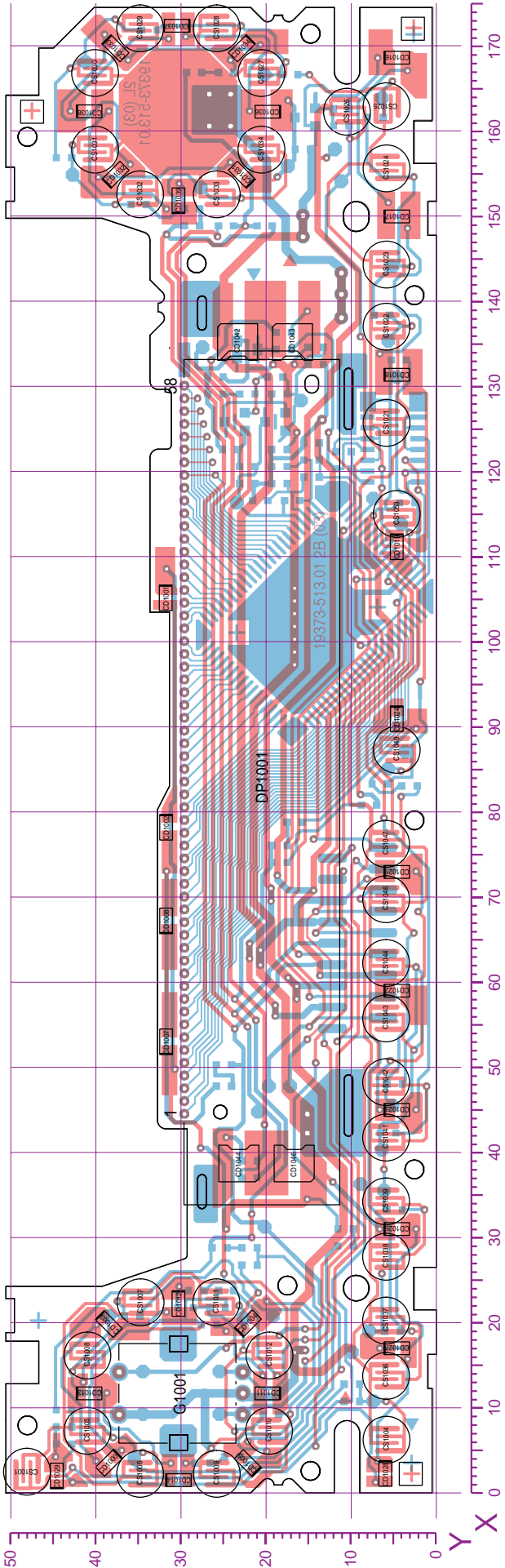


Pos.-Nr./ Pos. No.	Koordinaten/ Coordinates		Pos.-Nr./ Pos. No.	Koordinaten/ Coordinates		Pos.-Nr./ Pos. No.	Koordinaten/ Coordinates		Pos.-Nr./ Pos. No.	Koordinaten/ Coordinates	
	X	Y		X	Y		X	Y		X	Y
ANT01	144	11	C1111TD	27	15	C1508	107	54	C2004	132	101
BU1101T	39	39	C1113TD	23	15	C1514KA	94	40	C2006	132	93
BU1201	5	108	C1114TD	54	15	C1521KA	86	59	C2007	129	109
			C1121TD	58	15	C1613	94	165	C2013	122	160
			C1122T	52	35	C1615	68	156	C2202	51	140
C506R	11	79									
C813	57	73	C1123T	52	40	C1638	24	128	C2207	126	123
C841	66	75	C1126T	59	26	C1801	83	134	C2301	19	151
C922	23	91	C1128TD	51	15	C1802	75	134	C2302	6	150
C957	50	68	C1201	13	122	C1803	66	137	C2402P	112	20
			C1473C	37	158	C1804	58	137			
C963CN	42	124							IC1471C	32	167
C1106T	25	34	C1474C	30	158	C2001	135	111	IC1601	69	166
C1107T	24	23	C1506	107	44	C2002	131	82	IC2001	145	102
C1109TD	19	15	C1507	107	49	C2003	137	101			



Bedien-Platte / Operating Board

Bestückungsseite / Component Side



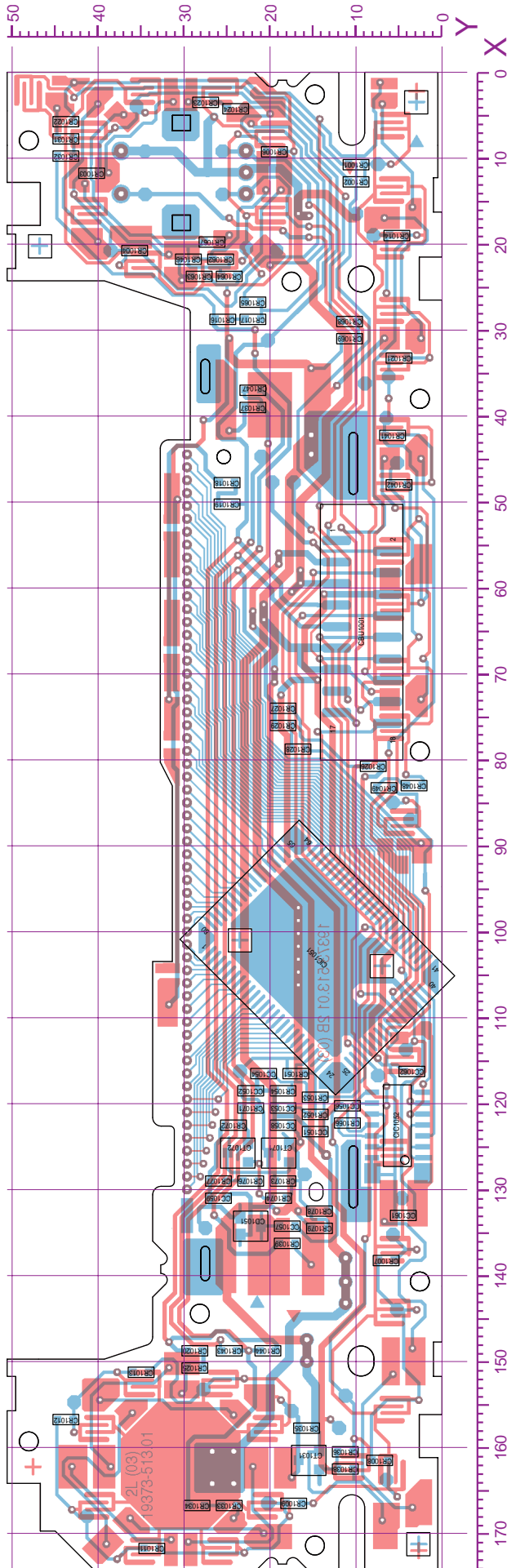
Pos.-Nr./ Pos. No.	Koordinaten/ Coordinates		Pos.-Nr./ Pos. No.	Koordinaten/ Coordinates	
	X	Y		X	Y
CD1000	4	38	CS1008	16	41
CD1001	105	32	CS1009	2	26
CD1002	78	32	CS1010	7	20
CD1003	20	38	CS1011	22	26
CD1004	20	22	CS1012	16	20
CD1005	3	22	CS1021	126	6
CD1007	53	32	CS1022	137	6
CD1008	67	32	CS1023	144	6
CD1011	12	20	CS1024	156	6
CD1012	22	30	CS1025	163	6
CD1013	12	41	CS1026	162	10
CD1014	1	30	CS1027	167	21
CD1016	169	5	CS1028	172	26
CD1017	150	5	CS1029	172	35
CD1018	131	5	CS1030	167	40
CD1019	111	5	CS1031	158	40
CD1021	73	5	CS1032	153	35
CD1022	59	5	CS1033	153	26
CD1023	45	5	CS1034	158	21
CD1024	91	5	CS1036	14	6
CD1026	31	5	CS1037	20	6
CD1027	17	5	CS1038	28	6
CD1028	2	6	CS1039	34	6
CD1029	2	45	CS1041	42	6
CD1031	155	23	CS1042	48	6
CD1032	155	38	CS1043	56	6
CD1033	170	38	CS1044	62	6
CD1034	170	23	CS1046	70	6
CD1036	162	20	CS1047	76	6
CD1037	172	30	CS1049	87	5
CD1038	162	41	CS1053	115	5
CD1039	152	30	DP1001	84	20
CD1042	135	23	G1001	12	30
CD1043	135	17			
CD1044	39	23			
CD1046	39	17			
CS1001	3	48			
CS1004	6	6			
CS1005	7	41			
CS1006	2	35			
CS1007	22	35			





Bedien-Platte / Operating Board

Lötseite / Solder Side



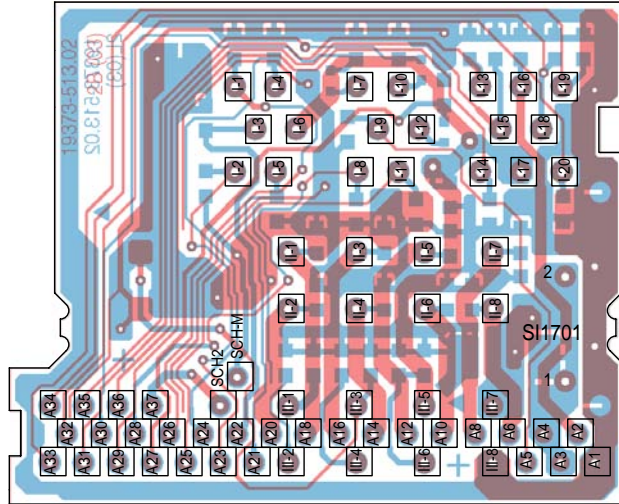
Pos.-Nr./ Pos. No.	Koordinaten/ Coordinates		Pos.-Nr./ Pos. No.	Koordinaten/ Coordinates	
	X	Y		X	Y
CBU1001	65	9	CR1029	76	19
CC1051	123	15	CR1031	8	44
CC1052	118	22	CR1032	10	44
CC1053	120	19	CR1033	167	25
CC1054	117	21	CR1034	167	28
CC1056	120	11	CR1035	158	16
CC1057	134	18	CR1036	161	11
CC1058	123	19	CR1037	39	22
CC1059	131	26	CR1038	162	11
CC1061	133	5	CR1039	136	18
CC1062	116	4	CR1041	42	6
CD1051	134	22	CR1042	48	5
CIC1051	103	15	CR1043	149	25
CIC1052	123	5	CR1044	149	20
CR1001	11	10	CR1046	22	30
CR1002	13	10	CR1047	37	22
CR1003	12	41	CR1048	83	3
CR1004	21	36	CR1049	83	7
CR1006	9	20	CR1051	117	17
CR1007	138	7	CR1052	121	15
CR1008	161	7	CR1053	119	15
CR1009	166	17	CR1054	118	19
CR1011	172	34	CR1062	22	26
CR1012	157	44	CR1063	24	28
CR1013	151	35	CR1064	24	25
CR1014	19	5	CR1065	27	22
CR1016	29	25	CR1066	122	11
CR1017	29	22	CR1067	20	27
CR1018	48	25	CR1068	29	11
CR1019	50	25	CR1069	31	11
CR1020	149	29	CR1071	120	22
CR1021	33	5	CR1072	123	24
CR1022	6	44	CR1073	129	19
CR1023	3	28	CR1074	131	19
CR1024	4	24	CR1076	129	22
CR1025	151	29	CR1077	129	26
CR1026	81	8	CR1078	133	14
CR1027	74	19	CR1079	135	14
CR1028	79	17	CT1031	161	15
			CT1071	126	19
			CT1072	126	24



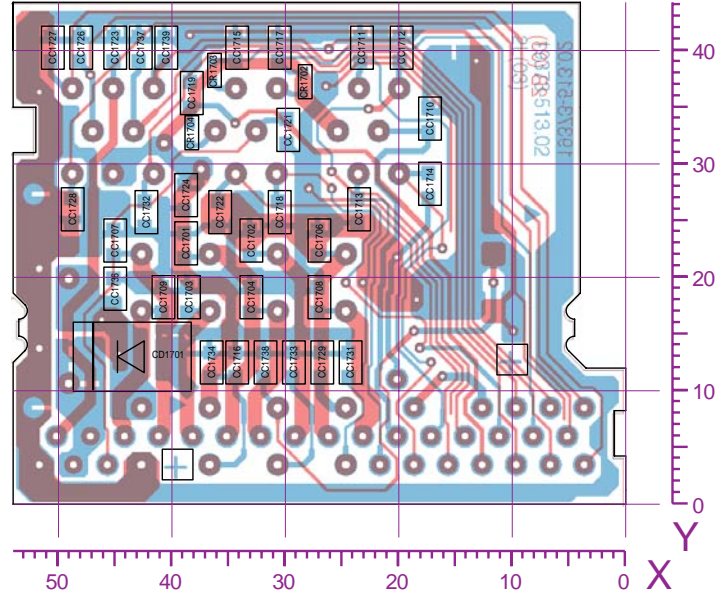


Anschluss-Platte / Connection Board

Bestückungsseite / Component Side



Lötseite / Solder Side



Pos.-Nr./ Pos. No.	Koordinaten/ Coordinates		Pos.-Nr./ Pos. No.	Koordinaten/ Coordinates	
	X	Y		X	Y
CC1701	39	23	CC1723	45	40
CC1702	33	23	CC1724	39	27
CC1703	39	18	CC1726	48	40
CC1704	33	18	CC1727	50	40
CC1706	27	23	CC1728	49	26
CC1707	45	23	CC1729	27	13
CC1708	27	18	CC1731	24	13
CC1709	41	18	CC1732	42	26
CC1710	17	34	CC1733	29	13
CC1711	23	40	CC1734	36	13
CC1712	20	40	CC1736	45	19
CC1713	24	26	CC1737	43	40
CC1714	17	28	CC1738	32	13
CC1715	34	40	CC1739	40	40
CC1716	34	13	CD1701	44	13
CC1717	31	40			
CC1718	31	26	CR1702	28	37
CC1719	38	36	CR1703	36	38
CC1721	30	33	CR1704	38	33
CC1722	36	26			





GRUNDIG

CAR AUDIO

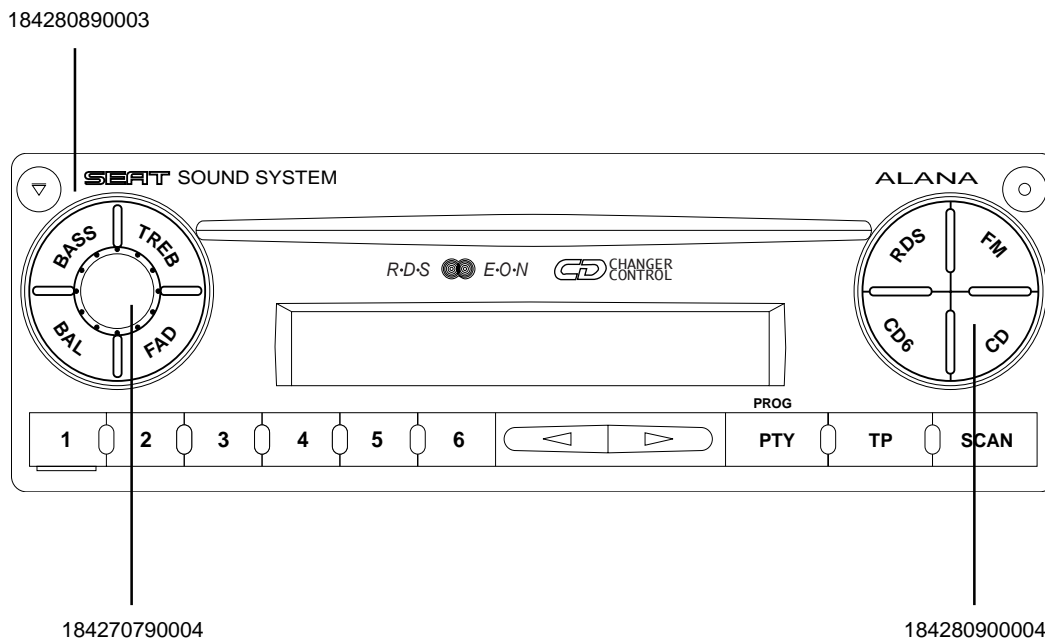
Ersatzteilliste Spare Parts List

5 / 2001 SEAT

ALANA

MATERIAL-NR. / PART NO.: 918428815100
BESTELL-NR. / ORDER NO.: GHM9100

POS. NR. POS. NO.	ABB. FIG.	MATERIAL-NR. PART NUMBER	ANZ. QTY.	BEZEICHNUNG (D)	DESCRIPTION (GB)
		918428815100		ALANA KEIN E-TEIL	ALANA NO SPARE PART
0002.000	1	184280890004		BLLENDE MONT.KPL	MASK MOUNT.CPL
0005.000	1	184270790004		DREHKNOFF	ROTARY KNOB
0008.000		184270400004		SCHALTMATTE (SEAT S04)	SWITCH MAT (SEAT S04)
0010.000		197202850000		LC-DISPLAY MOSTRON	LC-DISPLAY MOSTRON
WW.		197202850100		LC-DISPLAY TRULY	LC-DISPLAY TRULY
0020.000	1	184280900004		BEDIENANTEIL KPL	CONTROL UNIT CPL
0025.000		197716170100		ANSCHLUSSGEHAEUSE	CONNECTION TERMINAL
0027.000		183000990103		ANTENNENBUCHSE KPL	ANTENNA SOCKET CPL
0032.000		182680180010		EINBAUFEDER LINKS	MOUNTING SPRING LHS
0033.000		182680170010		EINBAUFEDER RECHTS	MOUNTING SPRING RHS
0040.000		184270230001		ABDECKUNG ENCODER	COVER ENCODER
0045.000		193732200000		TUNERMODUL (AUDI)	TUNER MODULE (AUDI)
0050.000		197230510000		LAUFWERK ALPINE DP23S37G	DRIVE MECHANISM ALPINE DP



ÄNDERUNGEN VORBEHALTEN / SUBJECT TO ALTERATION





POS. NR. POS. NO.	MATERIAL-NR. PART NUMBER	BEZEICHNUNG DESCRIPTION	POS. NR. POS. NO.	MATERIAL-NR. PART NUMBER	BEZEICHNUNG DESCRIPTION
C 02013	845324211100	ELKO 3300UF 16V 105C RM5	CL 02003	810498230500	SMD DAEMPF-PERLE 1206 Z>9
CD 00801	830938406200	SMD Z-DIODE BZX84C6V2	CQ 00501	838270404300	SMD QUARZ #43 4,332MHZ
CD 00901	830921001600	SMD DIODE BAS16 AV215 -G8	CQ 00801	860210360000	SMD KERRES #600 16MHZ CSC
CD 00902	830921001600	SMD LE-DIODE LSM670JK	CT 00101	830100685800	SMD TRANS BC858C/ BC857C
CD 00903	830921001600	SMD DIODE BAS16 AV215 -G8	CT 00102	830100684800	SMD TRANS BC848C/ BC847C
CD 00951	830921001600	SMD DIODE BAS16 AV215 -G8	CT 00801	830100684800	SMD TRANS BC848C/ BC847C
CD 01000	832602167000	SMD LE-DIODE LSM670JK	CT 00802	830100684800	SMD TRANS BC848C/ BC847C
CD 01001	832602167000	SMD LE-DIODE LSM670JK	CT 00803	830100685800	SMD TRANS BC858C/ BC857C
CD 01002	832602167000	SMD LE-DIODE LSM670JK	CT 00804	830100685800	SMD TRANS BC858C/ BC857C
CD 01003	832602167000	SMD LE-DIODE LSM670JK	CT 00901	830100684800	SMD TRANS BC848C/ BC847C
CD 01004	832602167000	SMD LE-DIODE LSM670JK	CT 00902	830100684800	SMD TRANS BC848C/ BC847C
CD 01005	832602167000	SMD LE-DIODE LSM670JK	CT 00903	830116013500	SMD TRANS BCR135 SIE AV21
CD 01011	832602167000	SMD LE-DIODE LSM670JK	CT 00904	830100685800	SMD TRANS BC858C/ BC857C
CD 01012	832602167000	SMD LE-DIODE LSM670JK	CT 00906	830100681800	SMD TRANS BC818-40/ BC817
CD 01013	832602167000	SMD LE-DIODE LSM670JK	CT 00907	830100684800	SMD TRANS BC848C/ BC847C
CD 01014	832602167000	SMD LE-DIODE LSM670JK	CT 00908	830100681800	SMD TRANS BC818-40/ BC817
CD 01016	832602167000	SMD LE-DIODE LSM670JK	CT 00909	830116013500	SMD TRANS BCR135 SIE AV21
CD 01017	832602167000	SMD LE-DIODE LSM670JK	CT 00911	830116013500	SMD TRANS BCR135 SIE AV21
CD 01018	832602167000	SMD LE-DIODE LSM670JK	CT 00912	830116013500	SMD TRANS BCR135 SIE AV21
CD 01019	832602167000	SMD LE-DIODE LSM670JK	CT 00921	830116013500	SMD TRANS BCR135 SIE AV21
CD 01021	832602167000	SMD LE-DIODE LSM670JK	CT 01031	830100684800	SMD TRANS BC848C/ BC847C
CD 01022	832602167000	SMD LE-DIODE LSM670JK	CT 01071	830100685800	SMD TRANS BC858C/ BC857C
CD 01023	832602167000	SMD LE-DIODE LSM670JK	CT 01072	830100684800	SMD TRANS BC848C/ BC847C
CD 01024	832602167000	SMD LE-DIODE LSM670JK	CT 01201	830100684800	SMD TRANS BC848C/ BC847C
CD 01026	832602167000	SMD LE-DIODE LSM670JK	CT 01202	830100684800	SMD TRANS BC848C/ BC847C
CD 01027	832602167000	SMD LE-DIODE LSM670JK	CT 01481	830100681800	SMD TRANS BC818-40/ BC817
CD 01028	832602167000	SMD LE-DIODE LSM670JK	CT 01482	830116013500	SMD TRANS BCR135 SIE AV21
CD 01029	832602167000	SMD LE-DIODE LSM670JK	CT 01483	830100684800	SMD TRANS BC848C/ BC847C
CD 01031	832602167000	SMD LE-DIODE LSM670JK	CT 02251	830100685800	SMD TRANS BC858C/ BC857C
CD 01032	832602167000	SMD LE-DIODE LSM670JK	CT 02301	830100684800	SMD TRANS BC848C/ BC847C
CD 01033	832602167000	SMD LE-DIODE LSM670JK	CT 02302	830100685800	SMD TRANS BC858C/ BC857C
CD 01034	832602167000	SMD LE-DIODE LSM670JK	CT 02304	830100684800	SMD TRANS BC848C/ BC847C
CD 01036	832602167000	SMD LE-DIODE LSM670JK	CT 02406	830100685800	SMD TRANS BC858C/ BC857C
CD 01037	832602167000	SMD LE-DIODE LSM670JK	CT 02407	830116013500	SMD TRANS BCR135 SIE AV21
CD 01038	832602167000	SMD LE-DIODE LSM670JK	CT 02408	830100684800	SMD TRANS BC848C/ BC847C
CD 01039	832602167000	SMD LE-DIODE LSM670JK	CT 02409	830100685800	SMD TRANS BC858C/ BC857C
CD 01042	832601967800	SMD LE-DIODE LSA676Q2	CT 02411	830100685800	SMD TRANS BC858C/ BC857C
CD 01042	832601967700	SMD LE-DIODE LSA676Q1	CT 02412	830100684800	SMD TRANS BC848C/ BC847C
CD 01042	832601967600	SMD LE-DIODE LSA676P2	CT 02413	830100684800	SMD TRANS BC848C/ BC847C
CD 01043	832601967600	SMD LE-DIODE LSA676P2	G 01001	194110270000	ENCODER
CD 01043	832601967700	SMD LE-DIODE LSA676Q1	IC 01471	830500780800	IC 7808 5% SGS
CD 01043	832601967800	SMD LE-DIODE LSA676Q2	IC 01601	830533756100	IC TDA7561
CD 01044	832601967600	SMD LE-DIODE LSA676P2	IC 02001	830520495300	IC L4953G SGS
CD 01044	832601967700	SMD LE-DIODE LSA676Q1	L 02001	814052289000	DR 97UH 15% LIEGEND LION
CD 01044	832601967800	SMD LE-DIODE LSA676Q2	L 02401	814052499800	SIEB-DR 1,2MH 7608 SAG
CD 01046	832601967800	SMD LE-DIODE LSA676Q2	Q 00881	838220079700	SCHWINGQUARZ 32,768 KHZ /
CD 01046	832601967700	SMD LE-DIODE LSA676Q1	R 02011	831510016000	SI POLYSWITCH 1,6A 30V RU
CD 01046	832601967600	SMD LE-DIODE LSA676P2	SI 01701	831570310000	FLACH-SI. 10 A
CD 01051	830931309900	SMD DIODE BAV99	T 02303	830328736900	TRANS.BC 369 GEG.AMMO-PAC
CD 01481	830921001600	SMD DIODE BAS16 AV215 -G8	T 02404	830328736800	TRANS.BC 368 GEG.AMMO-PAC
CD 01482	830921001600	SMD DIODE BAS16 AV215 -G8			
CD 01601	830931309900	SMD DIODE BAV99			
CD 01602	830921001600	SMD DIODE BAS16 AV215 -G8			
CD 01701	832533000300	SMD DIODE ES3D GI/ MURS3			
CD 02011	832532801000	SMD DIODE BYG10D TEMIC/ F			
CD 02402	830938907000	SMD-Z DIODE Z 47 SB14125			
CIC 00501	830582657900	SMD IC SAA6579T PHI AV215			
CIC 00801	830587007900	SMD IC UPD70F3079YGC8EU			
WW.	830587037900	SMD IC UPD703079YGC-XXX-8			
CIC 00802	720085384300	SMD IC BR24C16F-E2 PROG.KPL.			
CIC 00901	830588027800	SMD IC UPC29S78 NEC			
CIC 01051	830587114600	SMD IC UPD16434GF-500-3B9			
CIC 01052	830573201100	SMD IC HEF4011BT			
CIC 01502	830584740200	SMD IC TDA7402 STM			

Es gelten die Vorschriften und Sicherheitshinweise gemäß dem Service Manual "Sicherheit", Mat.-Nummer 720108000000, sowie zusätzlich die eventuell abweichenden, landesspezifischen Vorschriften!



The regulations and safety instructions shall be valid as provided by the "Safety" Service Manual, part number 720108000000, as well as the respective national deviations.

ÄNDERUNGEN VORBEHALTEN / SUBJECT TO ALTERATION